

# RPM-Based Fan Controller with Multiple Temperature Zones & Hardware Thermal Shutdown

## PRODUCT FEATURES

Datasheet

### General Description

The EMC2113 is an SMBus compliant fan controller. The fan driver can be operated using two methods, each with two modes. The methods include an RPM-based Fan Speed Control Algorithm and a direct PWM drive setting. The modes include manually programming the desired settings or using the internal programmable temperature look-up table to select the desired setting based on measured temperature.

The EMC2113 includes a temperature monitor that measures up to three (3) external diodes and the internal diode. The temperature monitors offer 1°C accuracy (for external diodes) with sophisticated features to reduce errors introduced by series resistance and beta variation of substrate thermal diode transistors commonly found in processors.

The device includes high and low limits for all temperature channels as well as a hardware set critical temperature limit. This hardware set limit drives a dedicated system shutdown pin.

Finally, the device includes an open-drain, active low interrupt pin to flag temperature or fan control errors.

### Applications

- Notebook Computers
- Projectors
- Graphics Cards
- Industrial and Networking Equipment

### Features

- Programmable Fan Control circuit
  - 4-wire fan compatible
  - Both Low and High frequency PWM
- RPM-based fan control algorithm
  - 2% accurate from 500 RPM to 16k RPM
  - Automatic Tachometer feedback
- Temperature Look-Up Table
  - Controls fan speed or PWM drive setting
  - Eight steps that incorporate up to four temperature zones simultaneously (user selectable)
  - Supports forced DTS or standard temperature data
  - Allows external PWM input (150Hz to 40kHz)
- Up to Three External Temperature Channels
  - Supports transistor model for 90nm - 45nm Intel CPUs
  - Resistance Error Correction and Beta Compensation
  - 1°C accurate (60°C to 125°C)
  - 0.125°C resolution
  - Programmable High and Low limits
- Hardware Programmable Thermal Shutdown Temperature
  - Cannot be altered by software
  - 65°C to 127°C Range
  - Dedicated system shutdown interrupt pin
- Internal Temperature Monitor
  - ±1°C accuracy
  - 0.125°C resolution
- 3.3V Supply Voltage
- Open drain interrupt pin
- SMBus 2.0 Interface
  - SMBus Alert compatible
  - Selectable SMBus Address via pull-up resistor and ADDR\_SEL pin
  - Block Read and Write
- Available in 16-pin 4mm x 4mm QFN RoHS Compliant package

**ORDERING INFORMATION:**

<b>ORDERING NUMBER</b>	<b>PACKAGE</b>	<b>FEATURES</b>
EMC2113-1-AP-TR	16-pin 4mm x4mm QFN (ROHS Compliant)	RPM-based Fan Speed Control Algorithm, High Frequency PWM driver, HW Thermal / Critical shutdown

**This product meets the halogen maximum concentration values per IEC61249-2-21**

## Datasheet

## Table of Contents

<b>Chapter 1</b>	<b>Block Diagram</b>	<b>9</b>
<b>Chapter 2</b>	<b>Delta from EMC2103</b>	<b>10</b>
<b>Chapter 3</b>	<b>Pin Layout</b>	<b>11</b>
<b>Chapter 4</b>	<b>Electrical Characteristics</b>	<b>13</b>
4.1	Electrical Specifications	14
4.2	SMBus Electrical Specifications	15
<b>Chapter 5</b>	<b>SMBus Slave Interface</b>	<b>17</b>
5.1	System Management Bus Interface Protocol	17
5.1.1	SMBus Start Bit	17
5.1.2	SMBus Address and RD / $\overline{\text{WR}}$ Bit	17
5.1.3	SMBus Data Bytes	18
5.1.4	SMBus ACK and NACK Bits	18
5.1.5	SMBus Stop Bit	18
5.1.6	SMBus Time-out	18
5.1.7	SMBus and I <sup>2</sup> C Compliance	18
5.2	SMBus Protocols	18
5.2.1	Write Byte	19
5.2.2	Read Byte	19
5.2.3	Send Byte	19
5.2.4	Receive Byte	20
5.2.5	Block Write	20
5.2.6	Block Read	20
5.2.7	Alert Response Address	21
<b>Chapter 6</b>	<b>Product Description</b>	<b>22</b>
6.1	Critical/Thermal Shutdown	23
6.1.1	SYS_SHDN Pin	23
6.1.2	SHDN_SEL Pin	24
6.1.3	TRIP_SET Pin	24
6.2	Fan Control Modes of Operation	26
6.3	PWM Fan Driver	27
6.4	Fan Control Look-Up Table	27
6.4.1	Programming the Look Up Table	29
6.4.2	DTS Support	29
6.5	PWM Input	29
6.6	RPM-Based Fan Speed Control Algorithm (FSC)	30
6.6.1	Programming the RPM-Based Fan Speed Control Algorithm	30
6.7	Tachometer Measurement	30
6.7.1	Stalled Fan	31
6.7.2	Aging Fan or Invalid Drive Detection	31
6.8	Spin Up Routine	31
6.9	Ramp Rate Control	32
6.10	Watchdog Timer	33
6.10.1	Power Up Operation	33
6.10.2	Continuous Operation	34
6.11	Fault Queue	34
6.12	ALERT Pin	34

6.13	Temperature Monitoring	34
6.13.1	Dynamic Averaging	34
6.13.2	Resistance Error Correction	35
6.13.3	Beta Compensation	35
6.13.4	Ideality Configuration	35
6.13.5	Digital Averaging	35
6.14	Diode Connections	35
6.14.1	Anti-Parallel Diodes	36
6.14.2	Diode Faults	36

## **Chapter 7 Fan Control Register Set** . . . . . **37**

7.1	Register Map	37
7.1.1	Lock Entries	43
7.2	Temperature Data Registers	44
7.3	Critical/Thermal Shutdown Temperature Register	45
7.4	Pushed Temperature Registers	45
7.5	PWM Input Duty Cycle Register	46
7.6	TRIP_SET Voltage Register	46
7.7	Ideality Factor Registers	46
7.8	Beta Configuration Register	48
7.9	REC Configuration Register	49
7.10	Critical Temperature Limit Registers	50
7.11	Configuration Register	50
7.12	Configuration 2 Register	51
7.13	Interrupt Status Register	53
7.14	Error Status Registers	53
7.14.1	Tcrit Status Register	54
7.15	Fan Status Register	54
7.16	Interrupt Enable Register	54
7.17	Fan Interrupt Enable Register	55
7.18	PWM Driver Configuration Register	56
7.19	PWM Driver Base Frequency Register	56
7.20	Limit Registers	57
7.21	PWM Input Duty Cycle High Limit Register	57
7.22	Fan Setting Registers	58
7.23	PWM Divide Register	58
7.24	Fan Configuration 1 Register	58
7.25	Fan Configuration 2 Register	60
7.26	Gain Register	62
7.27	Fan Spin Up Configuration Register	62
7.28	Fan Step Register	64
7.29	Fan Minimum Drive Register	64
7.30	Valid TACH Count Register	65
7.31	Fan Drive Fail Band Registers	65
7.32	TACH Target Register	66
7.33	TACH Reading Register	66
7.34	Look Up Table Configuration Register	67
7.35	Look Up Table Registers	68
7.36	Software Lock Register	70
7.37	Product Features Register	70
7.38	Product ID Register	71
7.39	Manufacturer ID Register	72
7.40	Revision Register	72

**Datasheet**

---

<b>Chapter 8</b>	<b>Typical Operating Curves</b>	<b>73</b>
<b>Chapter 9</b>	<b>Package Drawing</b>	<b>77</b>
9.1	EMC2113 Package Information	77
9.2	Package Markings	79
<b>Appendix A</b>	<b>Look Up Table Operation</b>	<b>80</b>
A.1	Example #1	80
A.1.1	LUT Configuration Bit Description	81
A.2	Example #2	82
A.2.1	Fan Spin Up Configuration Bit Description	82
A.2.2	LUT Configuration - Bit Description	83
A.3	Example #3	84
A.3.1	LUT COnfiguration Bit Description	84
	<b>Datasheet Revision History</b>	<b>86</b>

---

## Table of Figures

Figure 1.1	EMC2113 Block Diagram	9
Figure 3.1	EMC2113-1 Pin Diagram (16-Pin QFN)	11
Figure 5.1	SMBus Timing Diagram	17
Figure 6.1	System Diagram for EMC2113	22
Figure 6.2	Block Diagram of Critical/Thermal Shutdown	23
Figure 6.3	Fan Control Look-Up Table Example	28
Figure 6.4	Spin Up Routine	32
Figure 6.5	Ramp Rate Control	33
Figure 6.6	Diode Connections	36
Figure 9.1	16-Pin QFN 4mm x 4mm Package Dimensions	77
Figure 9.2	16-Pin QFN 4mm x 4mm PCB Footprint	77
Figure 9.3	16-Pin QFN 4mm x 4mm Package Drawing	78
Figure 9.4	EMC2113 Package Markings	79

## Datasheet

## List of Tables

Table 2.1	LUT Options	10
Table 3.1	Pin Description for EMC2113-1	11
Table 3.2	Pin Types	12
Table 4.1	Absolute Maximum Ratings	13
Table 4.2	Electrical Specifications	14
Table 4.3	SMBus Electrical Specifications	15
Table 5.1	ADDR_SEL Pin Decode	17
Table 5.2	Protocol Format	19
Table 5.3	Write Byte Protocol	19
Table 5.4	Read Byte Protocol	19
Table 5.5	Send Byte Protocol	19
Table 5.6	Receive Byte Protocol	20
Table 5.7	Block Write Protocol	20
Table 5.8	Block Read Protocol	20
Table 5.9	Alert Response Address Protocol	21
Table 6.1	SHDN_SEL Pin Decode	24
Table 6.2	TRIP_SET Resistor Setting	25
Table 6.3	Fan Controls Active for Operating Mode	27
Table 6.4	Dynamic Averaging Behavior	34
Table 7.1	EMC2113 Register Set	37
Table 7.2	Temperature Data Registers	44
Table 7.3	Temperature Data Format	44
Table 7.4	Critical/Thermal Shutdown Temperature Register	45
Table 7.5	Critical/Thermal Shutdown Data Format	45
Table 7.6	Pushed Temperature Registers	45
Table 7.7	PWM Duty Cycle Register	46
Table 7.8	TRIP_SET Voltage Register	46
Table 7.9	Ideality Factor Registers	46
Table 7.10	Ideality Factor Look-Up Table	47
Table 7.11	Substrate Diode Ideality Factor Look-Up Table (BJT Model)	47
Table 7.12	Beta Configuration Register	48
Table 7.13	Beta Compensation Look Up Table	48
Table 7.14	REC Configuration Register	49
Table 7.15	Limit Registers	50
Table 7.16	Configuration Register	50
Table 7.17	Configuration 2 Register	51
Table 7.18	Fault Queue	52
Table 7.19	Conversion Rate	52
Table 7.20	Interrupt Status Register	53
Table 7.21	Error Status Register	53
Table 7.22	Fan Status Register	54
Table 7.23	Interrupt Enable Register	54
Table 7.24	Fan Interrupt Enable Register	55
Table 7.25	PWM Driver Configuration Register	56
Table 7.26	PWM Driver Base Frequency Register	56
Table 7.27	PWM_BASEx[1:0] it Decode	56
Table 7.28	Limit Registers	57
Table 7.29	PWM Duty Cycle High Limit Register	57
Table 7.30	Fan Driver Setting Register	58
Table 7.31	PWM Divide Register	58
Table 7.32	Fan Configuration 1 Register	58
Table 7.33	Range Decode	59
Table 7.34	Minimum Edges for Fan Rotation	59

Table 7.35 Update Time . . . . .	60
Table 7.36 Fan Configuration 2 Register . . . . .	60
Table 7.37 Derivative Options . . . . .	61
Table 7.38 Error Range Options . . . . .	61
Table 7.39 Gain Register . . . . .	62
Table 7.40 Gain Decode . . . . .	62
Table 7.41 Fan Spin Up Configuration Register . . . . .	62
Table 7.42 DRIVE_FAIL_CNT[1:0] Bit Decode . . . . .	62
Table 7.43 Spin Level . . . . .	63
Table 7.44 Spin Time . . . . .	64
Table 7.45 Fan Step Register . . . . .	64
Table 7.46 Minimum Fan Drive Register . . . . .	64
Table 7.47 Valid TACH Count Register . . . . .	65
Table 7.48 Fan Drive Fail Band Registers . . . . .	65
Table 7.49 TACH Target Register . . . . .	66
Table 7.50 TACH Reading Register . . . . .	66
Table 7.51 Look Up Table Configuration Register . . . . .	67
Table 7.52 Look Up Table Registers . . . . .	68
Table 7.53 Software Lock . . . . .	70
Table 7.54 Product Features Register . . . . .	70
Table 7.55 ADDR_SEL[2:0] Encoding . . . . .	70
Table 7.56 SHDN_SEL[2:0] Encoding . . . . .	71
Table 7.57 Product ID Register . . . . .	71
Table 7.58 Manufacturer ID Register . . . . .	72
Table 7.59 Revision Register . . . . .	72
Table A.1 Look Up Table Format . . . . .	80
Table A.2 Look Up Table Example #1 Configuration . . . . .	81
Table A.3 Fan Speed Control Table Example #1 . . . . .	81
Table A.4 Fan Speed Determination for Example #1 (using settings in <a href="#">Table A.3</a> ) . . . . .	82
Table A.5 Look Up Table Example #2 Configuration . . . . .	82
Table A.6 Fan Speed Control Table Example #2 . . . . .	83
Table A.7 Fan Speed Determination for Example #2 (using settings in <a href="#">Table A.6</a> ) . . . . .	84
Table A.8 Look Up Table Example #3 Configuration . . . . .	84
Table A.9 Fan Speed Control Table Example #3 . . . . .	85
Table A.10 Fan Speed Determination for Example #2 (using settings in <a href="#">Table A.9</a> ) . . . . .	85
Revision History . . . . .	86



Datasheet

# Chapter 1 Block Diagram

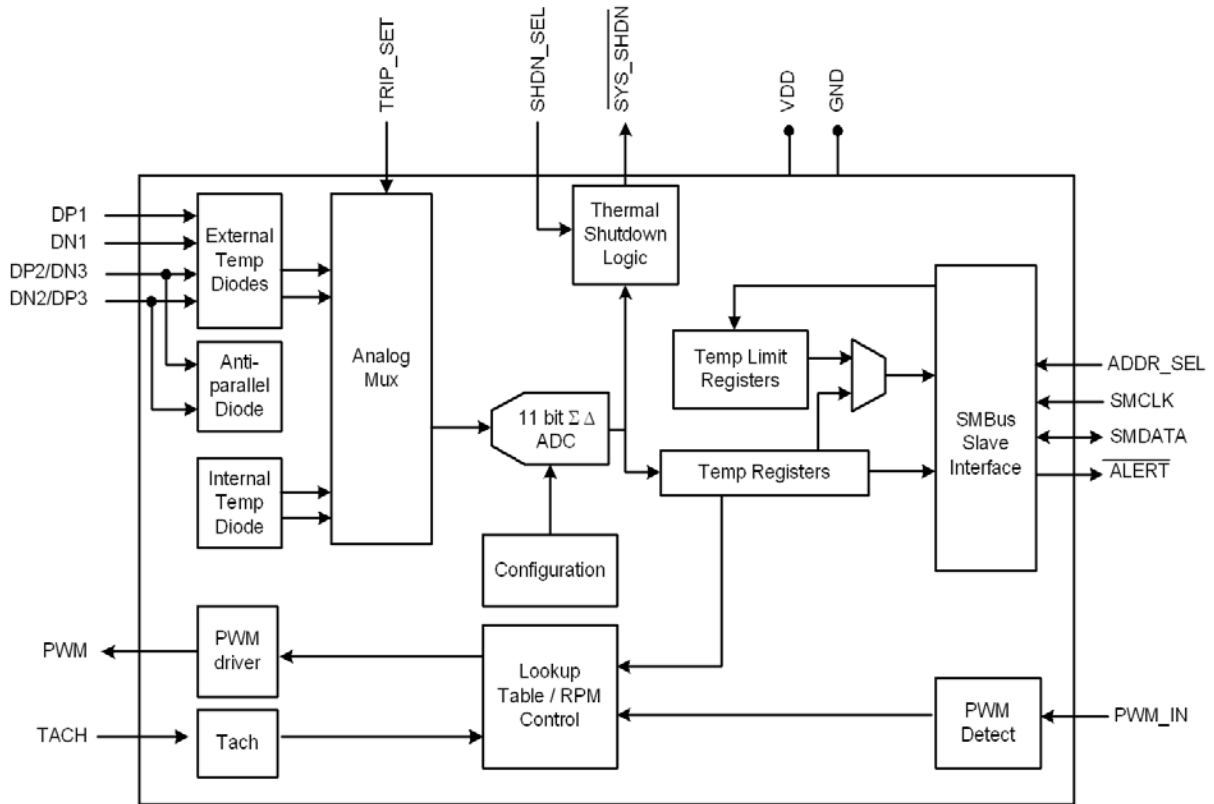


Figure 1.1 EMC2113 Block Diagram

## Chapter 2 Delta from EMC2103

The EMC2113 is compatible with the EMC2103-2 with the following changes:

- Removed two GPIOs - Pins 4 and 5 of the EMC2103-2 were GPIO pins. These have been removed.
- Added PWM Input functionality - This functionality allows the user to drive a PWM input into the EMC2113. The duty cycle of the PWM represents a temperature value and can be used as an input to the Fan Control Look Up Table.
- Added ADDR\_SEL functionality - This functionality allows the user to choose one of six SMBus address options.
- Updated Hysteresis within Look Up Table - The Fan Control Look Up Table in the EMC2113 allows the user to program a different hysteresis value to apply to each temperature input channel instead of a single hysteresis value that applies to all temperature input channels.
- Updated input muxing for the Look Up Table - The Fan Control Look Up Table has more options over which temperature channel is used for fan control.
- Updated HW set shutdown functionality to include option for Internal diode
- Added control to disable Ramp Rate control if one or more temperatures exceed the high limit
- Added SMBus Block Read and Write capability

**Table 2.1 LUT Options**

TEMPERATURE INPUT	EMC2113 OPTIONS
Temperature Column 1	External Diode 1 -or- Pushed Temperature 1
Temperature Column 2	External Diode 2
Temperature Column 3	External Diode 3 -or- Pushed Temperature 1
Temperature Column 4	Internal Diode -or- Pushed Temperature 2

## Datasheet

## Chapter 3 Pin Layout

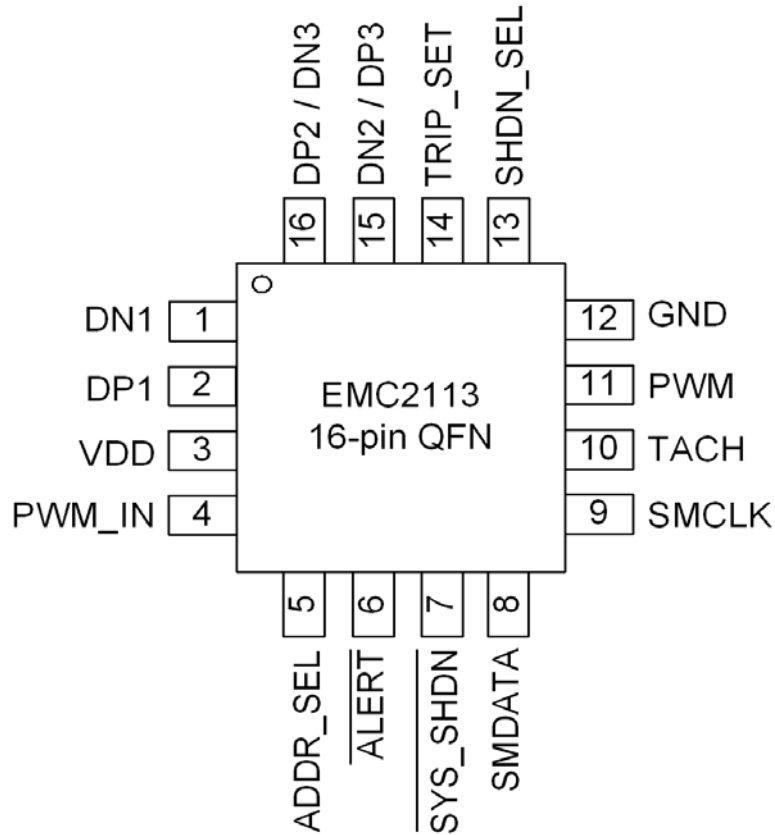


Figure 3.1 EMC2113-1 Pin Diagram (16-Pin QFN)

Table 3.1 Pin Description for EMC2113-1

PIN NUMBER	PIN NAME	PIN FUNCTION	PIN TYPE
1	DN1	Negative (cathode) analog input for External Diode 1	AIO
2	DP1	Positive (anode) analog input for External Diode 1	AIO
3	VDD	Power Supply	Power
4	PWM_IN	PWM input signal from host	DI (5V)
5	ADDR_SEL	Address Select Input	AIO
6	$\overline{\text{ALERT}}$	Active low SMBus slave interrupt - requires external pull-up resistor.	OD (5V)
7	$\overline{\text{SYS\_SHDN}}$	Active low Critical/Thermal Shutdown output - requires external pull-up resistor	OD (5V)

Table 3.1 Pin Description for EMC2113-1 (continued)

PIN NUMBER	PIN NAME	PIN FUNCTION	PIN TYPE
8	SMDATA	SMBus data input/output - requires external pull-up resistor	DIOD (5V)
9	SMCLK	SMBus clock input - requires external pull-up resistor	DI (5V)
10	TACH	Tachometer input for the Fan	DI (5V)
11	PWM	PWM - Open Drain PWM drive output for the Fan (default)	OD (5V)
		PWM - Push Pull PWM drive output for the fan	DO
12	GND	Ground	Power
13	SHDN_SEL	Selects the hardware shutdown channel and operating mode	AIO
14	TRIP_SET	Voltage input to set the Critical/Thermal Shutdown threshold	AIO
15	DN2 / DP3	DN2 - Negative (cathode) connection for External Diode 2	AIO
		DP3 - Positive (anode) connection for External Diode 3	AIO
16	DP2 / DN3	DP2 - Positive (anode connection for External Diode 2	AIO
		DN3 - Negative (cathode) connection for External Diode 3	AIO

The pin types are described in detail below. All pins labelled with (5V) are 5V tolerant.

**Note:** For all 5V tolerant pins that require a pull-up resistor, the pull-up voltage cannot exceed 3.6V when the device is unpowered.

Table 3.2 Pin Types

PIN TYPE	DESCRIPTION
Power	This pin is used to supply power or ground to the device.
DI	Digital Input - this pin is used as a digital input. This pin is 5V tolerant.
AIO	Analog Input / Output - this pin is used as an I/O for analog signals.
DO	Push / Pull Digital Output - this pin is used as a digital output. It can both source and sink current.
DIO	Digital Input / Output this pin is used as a digital I/O. It can both source and sink current.
OD	Open Drain Digital Output - this pin is used as a digital output. It is open drain and requires a pull-up resistor. This pin is 5V tolerant.

## Datasheet

## Chapter 4 Electrical Characteristics

**Table 4.1 Absolute Maximum Ratings**

Voltage on 5V tolerant pins ( $V_{PULLUP}$ )	-0.3 to 5.5	V
Voltage on 5V tolerant pins ( $ V_{PULLUP} - V_{DD} $ ) See <a href="#">Note 4.1</a>	0 to 3.6	V
Voltage on VDD pin	-0.3 to 4	V
Voltage on any other pin to GND	-0.3 to $V_{DD} + 0.3$	V
Package Power Dissipation	0.8W up to $T_A = 85^{\circ}\text{C}$	W
Junction to Ambient ( $\theta_{JA}$ )	50	$^{\circ}\text{C}/\text{W}$
Operating Ambient Temperature Range	-40 to 125	$^{\circ}\text{C}$
Storage Temperature Range	-55 to 150	$^{\circ}\text{C}$
ESD Rating, All Pins, HBM	2000	V

**Note:** Stresses above those listed could cause permanent damage to the device. This is a stress rating only and functional operation of the device at any other condition above those indicated in the operation sections of this specification is not implied. When powering this device from laboratory or system power supplies, it is important that the Absolute Maximum Ratings not be exceeded or device failure can result. Some power supplies exhibit voltage spikes on their outputs when the AC power is switched on or off. In addition, voltage transients on the AC power line may appear on the DC output. If this possibility exists, it is suggested that a clamp circuit be used.

**Note:** All voltages are relative to ground.

**Note:**  $\theta_{JA}$  numbers are based on a recommended four 12 mil vias connecting the thermal pad to PCB ground.

**Note 4.1** For the 5V tolerant pins that have a pull-up resistor, the pull-up voltage must not exceed 3.6V when the EMC2113 is unpowered.

## 4.1 Electrical Specifications

**Table 4.2 Electrical Specifications**

VDD = 3V to 3.6V, T <sub>A</sub> = -40°C to 125°C, all Typical values at T <sub>A</sub> = 27°C unless otherwise noted.						
CHARACTERISTIC	SYMBOL	MIN	TYP	MAX	UNIT	CONDITIONS
DC Power						
Supply Voltage	V <sub>DD</sub>	3	3.3	3.6	V	
Supply Current	I <sub>DD</sub>		1.1	1.5	mA	4 Conversions/second, Fan Driver active at maximum PWM frequency, Dynamic Averaging Enabled
			0.7	1.1	mA	1 Conversion/second, Fan Driver not active, Dynamic Averaging Disabled
First Conversion Ready	t <sub>CONV_T</sub>		150	300	ms	Time after power up before all channels updated
SMBus Delay	t <sub>SMB_D</sub>		10	15	ms	Time before SMBus communications should be sent by host
External Temperature Monitors						
Temperature Accuracy			±0.5	±1	°C	60°C < T <sub>DIODE</sub> < 125°C 30°C < T <sub>A</sub> < 100°C
			±1	±2	°C	-40°C < T <sub>DIODE</sub> < 125°C
Temperature Resolution			0.125		°C	
Diode decoupling capacitor	C <sub>FILTER</sub>		2200	2700	pF	Connected across external diode, CPU, GPU, or AMD diode
Resistance Error Corrected	R <sub>SERIES</sub>		100		Ohm	Sum of series resistance in both DP and DN lines
Internal Temperature Monitor						
Temperature Accuracy	T <sub>A</sub>		±0.5	±1	°C	40°C < T <sub>A</sub> < 100°C
			±1	±2	°C	
Temperature Resolution			0.125		°C	
RPM-Based Fan Controller						
Tachometer Range	TACH	480		16000	RPM	
RPM Control Accuracy	Δ <sub>TACH</sub>		±1	±2	%	
PWM Fan Driver						
PWM Resolution	PWM		256		Steps	
PWM Duty Cycle	DUTY	0		100	%	

## Datasheet

Table 4.2 Electrical Specifications (continued)

VDD = 3V to 3.6V, T <sub>A</sub> = -40°C to 125°C, all Typical values at T <sub>A</sub> = 27°C unless otherwise noted.						
CHARACTERISTIC	SYMBOL	MIN	TYP	MAX	UNIT	CONDITIONS
PWM Input Detection						
PWM Frequency	f <sub>PWM_IN</sub>	150		40k	Hz	
TRIP_SET Measurement						
TRIP_SET Decode Accuracy	V <sub>TRIP</sub>		±0.5	±1	°C	1% resistor connected to ground
TRIP_SET Decode Accuracy	V <sub>TRIP</sub>		±1	±2	°C	5% resistor connected to ground
Digital I/O pins						
Input High Voltage	V <sub>IH</sub>	2.0			V	
Input Low Voltage	V <sub>IL</sub>			0.8	V	
Output High Voltage	V <sub>OH</sub>	VDD - 0.4			V	8 mA current drive
Output Low Voltage	V <sub>OL</sub>			0.4	V	8 mA current sink
Leakage Current	I <sub>LEAK</sub>			±5	uA	$\overline{\text{ALERT}}$ and $\overline{\text{SYS\_SHDN}}$ pins Device powered or unpowered T <sub>A</sub> < 85°C

## 4.2 SMBus Electrical Specifications

Table 4.3 SMBus Electrical Specifications

VDD= 3V to 3.6V, T <sub>A</sub> = -40°C to 125°C Typical values are at T <sub>A</sub> = 27°C unless otherwise noted.						
CHARACTERISTIC	SYMBOL	MIN	TYP	MAX	UNITS	CONDITIONS
SMBus Interface						
Input High/Low Current	I <sub>IH</sub> / I <sub>IL</sub>			±5	uA	Device powered or unpowered T <sub>A</sub> < 85°C
Input Capacitance	C <sub>IN</sub>		4	10	pF	
SMBus Timing						
Clock Frequency	f <sub>SMB</sub>	10		400	kHz	
Spike Suppression	t <sub>SP</sub>			50	ns	
Bus free time Start to Stop	t <sub>BUF</sub>	1.3			us	
Setup Time: Start	t <sub>SU:STA</sub>	0.6			us	
Setup Time: Stop	t <sub>SU:STP</sub>	0.6			us	
Data Hold Time	t <sub>HD:DAT</sub>	0.6		6	us	
Data Setup Time	t <sub>SU:DAT</sub>	0.6		72	us	

**Table 4.3 SMBus Electrical Specifications (continued)**

VDD= 3V to 3.6V, T <sub>A</sub> = -40°C to 125°C Typical values are at T <sub>A</sub> = 27°C unless otherwise noted.						
CHARACTERISTIC	SYMBOL	MIN	TYP	MAX	UNITS	CONDITIONS
Clock Low Period	t <sub>LOW</sub>	1.3			us	
Clock High Period	t <sub>HIGH</sub>	0.6			us	
Clock/Data Fall time	t <sub>FALL</sub>			300	ns	Min = 20+0.1C <sub>LOAD</sub> ns
Clock/Data Rise time	t <sub>RISE</sub>			300	ns	Min = 20+0.1C <sub>LOAD</sub> ns
Capacitive Load	C <sub>LOAD</sub>			400	pF	Total per bus line



## Chapter 5 SMBus Slave Interface

The EMC2113 communicates with a host controller, such as an SIO, through the SMBus. The SMBus is a two-wire serial communication protocol between a computer host and its peripheral devices.

### 5.1 System Management Bus Interface Protocol

The EMC2113 contains an SMBus slave interface. A detailed timing diagram is shown in [Figure 5.1, "SMBus Timing Diagram"](#). Stretching of the SMCLK signal is supported, however the EMC2113 will not stretch the clock signal.

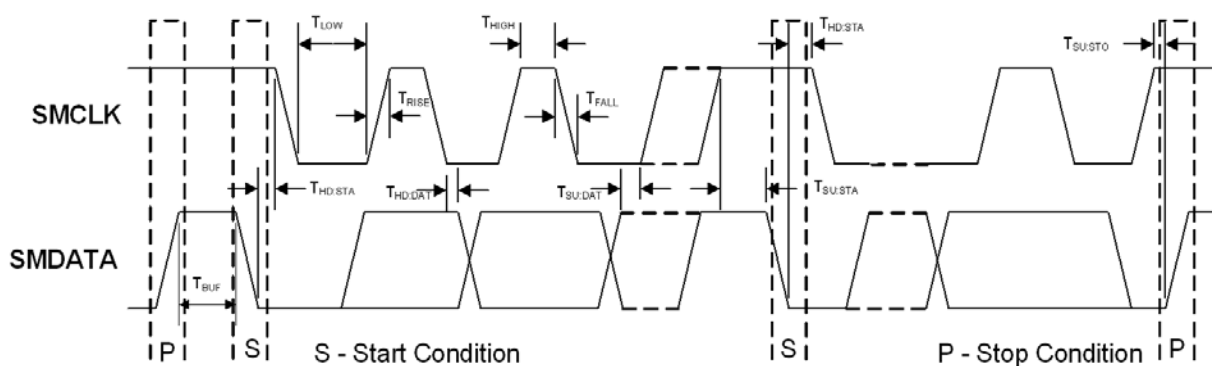


Figure 5.1 SMBus Timing Diagram

#### 5.1.1 SMBus Start Bit

The SMBus Start bit is defined as a transition of the SMBus Data line from a logic '1' state to a logic '0' state while the SMBus Clock line is in a logic '1' state.

#### 5.1.2 SMBus Address and $\overline{RD/WR}$ Bit

The SMBus Address Byte consists of the 7-bit slave address followed by the  $\overline{RD/WR}$  indicator bit. If this  $\overline{RD/WR}$  bit is a logic '0', then the host device is writing data to the slave device. If this  $\overline{RD/WR}$  bit is a logic '1', then the host device is reading data from the slave device.

The EMC2113 SMBus slave address is determined via the pull-up resistor connected to the ADDR\_SEL pin as shown [Table 5.1, "ADDR\\_SEL Pin Decode"](#).

Table 5.1 ADDR\_SEL Pin Decode

PULL-UP RESISTOR VALUE	FAN CONTROL ADDRESS
4.7k Ohm $\pm 5\%$	0101_100(r/w)
6.8k Ohm $\pm 5\%$	0101_101(r/w)
10k Ohm $\pm 5\%$	0101_110(r/w)
15k Ohm $\pm 5\%$	1001_100(r/w)

Table 5.1 ADDR\_SEL Pin Decode (continued)

PULL-UP RESISTOR VALUE	FAN CONTROL ADDRESS
22k Ohm $\pm 5\%$	1001_101(r/w)
33k Ohm $\pm 5\%$	1001_000(r/w)

### 5.1.3 SMBus Data Bytes

All SMBus Data bytes are sent most significant bit first and composed of 8-bits of information.

### 5.1.4 SMBus ACK and NACK Bits

The SMBus slave will acknowledge all data bytes that it receives. This is done by the slave device pulling the SMBus Data line low after the 8th bit of each byte that is transmitted.

The Host will NACK (not acknowledge) the last data byte to be received from the slave by holding the SMBus data line high after the 8th data bit has been sent.

### 5.1.5 SMBus Stop Bit

The SMBus Stop bit is defined as a transition of the SMBus Data line from a logic '0' state to a logic '1' state while the SMBus clock line is in a logic '1' state. When the EMC2113 detects an SMBus Stop bit, and it has been communicating with the SMBus protocol, it will reset its slave interface and prepare to receive further communications.

### 5.1.6 SMBus Time-out

The EMC2113 includes an SMBus time-out feature. Following a 30ms period of inactivity on the SMBus, the device will time-out and reset the SMBus interface.

The SMBus timeout defaults to enabled and can be disabled by setting the DIS\_TO bit (see [Section 7.12, "Configuration 2 Register"](#)).

### 5.1.7 SMBus and I<sup>2</sup>C Compliance

The major difference between SMBus and I<sup>2</sup>C devices is highlighted here. For complete compliance information refer to the SMBus 2.0 specification.

1. Minimum frequency for SMBus communications is 10kHz.
2. The slave protocol will reset if the clock is held low longer than 30ms.
3. The slave protocol will reset if both the clock and the data line are high for longer than 150us (idle condition).
4. I<sup>2</sup>C devices do not support the Alert Response Address functionality (which is optional for SMBus).

## 5.2 SMBus Protocols

The EMC2113 slave interface is SMBus 2.0 compatible and support Send Byte, Read Byte, Receive Byte, Write Byte, Block Read Byte, Block Write Byte, and the Alert Response Address as valid protocols. These protocols are used as shown below.

All of the below protocols use the convention in [Table 5.2, "Protocol Format"](#). For the Slave Address fields, the value of YYYY\_YYY represents the programmed SMBus address.

## Datasheet

Table 5.2 Protocol Format

DATA SENT TO DEVICE	DATA SENT TO THE HOST
# of bits sent	# of bits sent

### 5.2.1 Write Byte

The Write Byte is used to write one byte of data to the registers as shown below [Table 5.3](#).

Table 5.3 Write Byte Protocol

START	SLAVE ADDRESS	WR	ACK	REGISTER ADDRESS	ACK	REGISTER DATA	ACK	STOP
1 -> 0	YYYY_YYY	0	0	0 -> 1	0	XXh	0	0 -> 1

### 5.2.2 Read Byte

The Read Byte protocol is used to read one byte of data from the registers as shown in [Table 5.4](#).

Table 5.4 Read Byte Protocol

START	SLAVE ADDRESS	WR	ACK	REGISTER ADDRESS	ACK	START	SLAVE ADDRESS	RD	ACK	REGISTER DATA	NACK	STOP
1 -> 0	YYYY_YYY	0	0	XXh	0	1 -> 0	YYYY_YYY	1	0	XXh	1	0 -> 1

### 5.2.3 Send Byte

The Send Byte protocol is used to set the internal address register pointer to the correct address location. No data is transferred during the Send Byte protocol as shown in [Table 5.5](#).

Table 5.5 Send Byte Protocol

START	SLAVE ADDRESS	WR	ACK	REGISTER ADDRESS	ACK	STOP
1 -> 0	YYYY_YYY	0	0	XXh	1	0 -> 1

## 5.2.4 Receive Byte

The Receive Byte protocol is used to read data from a register when the internal register address pointer is known to be at the right location (e.g. set via Send Byte). This is used for consecutive reads of the same register as shown in [Table 5.6](#).

**Table 5.6 Receive Byte Protocol**

START	SLAVE ADDRESS	RD	ACK	REGISTER DATA	NACK	STOP
1 -> 0	YYYY_YYY	1	0	XXh	1	0 -> 1

## 5.2.5 Block Write

The Block Write is used to write multiple data bytes to a group of contiguous registers as shown in [Table 5.7](#). It is an extension of the Write Byte Protocol.

**Table 5.7 Block Write Protocol**

START	SLAVE ADDRESS	WR	ACK	REGISTER ADDRESS	ACK	REGISTER DATA	ACK
1 ->0	YYYY_YYY	0	0	XXh	0	XXh	0
REGISTER DATA	ACK	REGISTER DATA	ACK	...	REGISTER DATA	ACK	STOP
XXh	0	XXh	0	...	XXh	0	0 -> 1

## 5.2.6 Block Read

The Block Read is used to read multiple data bytes from a group of contiguous registers as shown in [Table 5.8](#). It is an extension of the Read Byte Protocol.

**Table 5.8 Block Read Protocol**

START	SLAVE ADDRESS	WR	ACK	REGISTER ADDRESS	ACK	START	SLAVE ADDRESS	RD	ACK	REGISTER DATA
1->0	YYYY_YYY	0	0	XXh	0	1 ->0	YYYY_YYY	1	0	XXh
ACK	REGISTER DATA	ACK	REGISTER DATA	ACK	REGISTER DATA	ACK	...	REGISTER DATA	NACK	STOP
0	XXh	0	XXh	0	XXh	0	...	XXh	1	0 -> 1

## Datasheet

## 5.2.7 Alert Response Address

The  $\overline{\text{ALERT}}$  output can be used as a processor interrupt or as an SMBus Alert when configured to operate as an interrupt.

When it detects that the  $\overline{\text{ALERT}}$  pin is asserted, the host will send the Alert Response Address (ARA) to the general address of 0001\_100b. All devices with active interrupts will respond with their slave address as shown in [Table 5.9](#).

**Table 5.9 Alert Response Address Protocol**

START	ALERT RESPONSE ADDRESS	RD	ACK	DEVICE ADDRESS	NACK	STOP
1 -> 0	0001_100	1	0	YYYY_YYY	1	0 -> 1

The EMC2113 slave interface will respond to the ARA in the following way if the  $\overline{\text{ALERT}}$  pin is asserted.

1. Send Slave Address and verify that full slave address was sent (i.e. the SMBus communication from the device was not prematurely stopped due to a bus contention event).
2. Set the MASK bit to clear the  $\overline{\text{ALERT}}$  pin.

## Chapter 6 Product Description

The EMC2113 is an SMBus compliant fan controller with up to three (3) external and one (1) internal temperature channels. The fan driver can be operated using two methods, each with two modes. The methods include an RPM-based Fan Speed Control Algorithm and a direct PWM drive setting. The modes include manually programming the desired settings or using the internal programmable temperature look-up table to select the desired setting based on measured temperature.

The temperature monitors offer 1°C accuracy (for external diodes) with sophisticated features to reduce errors introduced by series resistance and beta variation of substrate thermal diode transistors commonly found in processors (including support of the BJT or transistor model for a CPU diode).

The EMC2113 allows the user to program temperatures generated from external sources to control the fan speed. This functionality also supports DTS data from the CPU. By pushing DTS or standard temperature values into dedicated registers, the external temperature readings can be used in conjunction with the external diode(s) and internal diode to control the fan speed.

The EMC2113 also allows the user to input a PWM input signal on the PWM\_IN pin that is used as an input to the Fan Speed Control Look Up Table.

The EMC2113 includes a hardware programmable temperature limit and dedicated system shutdown output for thermal protection of critical circuitry.

Figure 6.1 shows a system diagram of the EMC2113.

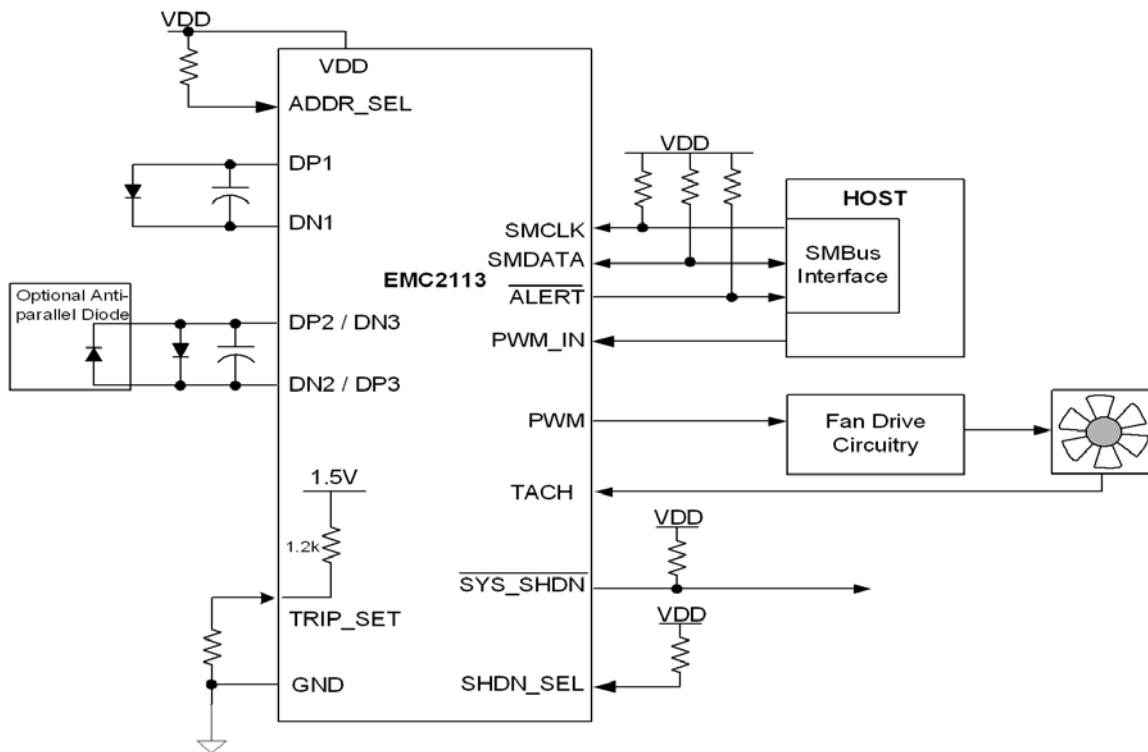


Figure 6.1 System Diagram for EMC2113

## Datasheet

## 6.1 Critical/Thermal Shutdown

The EMC2113 provides a hardware Critical/Thermal Shutdown function for systems. Figure 6.2 is a block diagram of this Critical/Thermal Shutdown function. The Critical/Thermal Shutdown function accepts configuration information from the pullup resistor of the SHDN\_SEL pin.

The analog portion of the Critical/Thermal Shutdown function monitors the hardware determined shutdown channel. This measured temperature is then compared with TRIP\_SET point. This TRIP\_SET point is set by the system designer with a single external resistor.

The  $\overline{\text{SYS\_SHDN}}$  is asserted when the indicated temperature meets or exceeds the temperature threshold ( $T_{\text{TRIP}}$ ) established by the TRIP\_SET input pin for a number of consecutive measurements defined by the fault queue.

Each of the software programmed temperature limits can be optionally configured to act as inputs to the Critical/Thermal Shutdown independent of the hardware shutdown operation. When configured to operate this way, the  $\overline{\text{SYS\_SHDN}}$  pin will be asserted when the temperature meets or exceeds the programmed Tcrit Limit for the enabled channel (see Section 7.10).

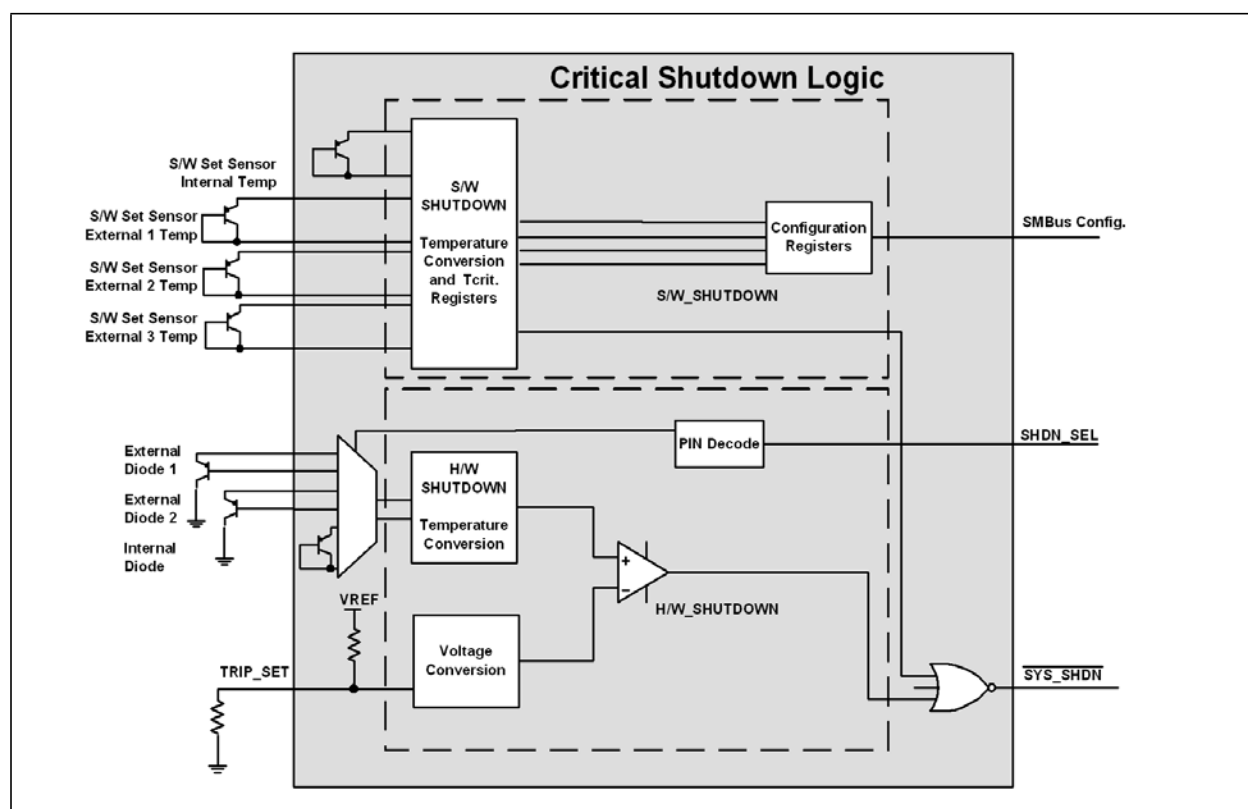


Figure 6.2 Block Diagram of Critical/Thermal Shutdown

### 6.1.1 $\overline{\text{SYS\_SHDN}}$ Pin

The  $\overline{\text{SYS\_SHDN}}$  pin is an active low dedicated system interrupt. This pin is asserted low when:

1. The programmed temperature channel (see Section 6.1.2) exceeds the hardware set limit (see Section 6.1.3).
2. Any of the measured temperature channels meet or exceed their programmed TCRIT limits and have been linked to the  $\overline{\text{SYS\_SHDN}}$  pin (see Section 7.10).
3. Any of the measured temperature channels meet or exceed their programmed High limits and have been linked to the  $\overline{\text{SYS\_SHDN}}$  pin (see Section 7.11).

When the SYS\_SHDN pin is asserted, it will remain asserted until the measured temperatures drop below the respective limits minus the hysteresis. At this point, the pin will be released automatically.

### 6.1.2 SHDN\_SEL Pin

The EMC2113 has a 'strappable' input (SHDN\_SEL) allowing for configuration of the hardware Critical/Thermal Shutdown input channel. The pull-up resistor used on this pin identifies which configuration setting is used as shown in [Table 6.1, "SHDN\\_SEL Pin Decode"](#).

**Table 6.1 SHDN\_SEL Pin Decode**

PULL UP RESISTOR	MODE / DIODE CHANNEL	EXTERNAL DIODE 1 CONFIG	EXTERNAL DIODE 2 CONFIG
≤ 4.7k Ohm	AMD CPU on External Diode 1	Beta Compensation disabled REC disabled Beta and REC controls are locked	Beta Compensation enabled (auto) REC enabled Beta and REC controls are not locked
6.8k Ohm	2N3904 on External Diode 1	Beta Compensation disabled REC enabled Beta and REC controls are locked	Beta Compensation enabled (auto) REC enabled Beta and REC controls are not locked
10k Ohm	Intel CPU or 2N3904 on External Diode 1	Beta Compensation enabled (auto) REC enabled Beta and REC controls are locked	Beta Compensation enabled (auto) REC enabled Beta and REC controls are not locked
15k Ohm	Internal Diode	Beta Compensation enabled (auto) REC enabled Beta and REC controls are not locked	Beta Compensation enabled (auto) REC enabled Beta and REC controls are not locked
22k Ohm	Intel CPU or 2N3904 on External Diode 2	Beta Compensation enabled (auto) REC enabled Beta and REC controls are not locked	Beta Compensation enabled (auto) REC enabled Beta and REC controls are locked
≥ 33k Ohm	Intel CPU or 2N3904 on External Diode 1	Beta Compensation enabled (auto) REC enabled Beta and REC controls are not locked	Beta Compensation enabled (auto) REC enabled Beta and REC controls are not locked

**APPLICATION NOTE:** The SHDN\_SEL pin decode settings with Beta Compensation enabled (auto) will support a diode connected 2N3904 diode normally.

### 6.1.3 TRIP\_SET Pin

The EMC2113's TRIP\_SET pin is an analog input to the Critical/Thermal Shutdown block which sets the Thermal Shutdown temperature. The system designer creates a voltage level at the input through a simple resistor connected to GND as shown in [Figure 6.2, "Block Diagram of Critical/Thermal Shutdown"](#). The value of this resistor is used to create an input voltage on the TRIP\_SET pin which is translated into a temperature ranging from 65°C to 127°C.

**APPLICATION NOTE:** Current only flows when the TRIP\_SET pin is being monitored. At all other times, the internal reference voltage is removed and the TRIP\_SET pin will be pulled down to ground.



## Datasheet

**APPLICATION NOTE:** The TRIP\_SET pin circuitry is designed to use a 1% resistor externally. Using a 1% resistor will result in the Thermal / Critical Shutdown temperature being decoded correctly. If a 5% resistor is used, then the Thermal / Critical Shutdown temperature may be decoded with as much as  $\pm 1^{\circ}\text{C}$  error.

Table 6.2 TRIP\_SET Resistor Setting

T <sub>TRIP</sub> (°C)	RSET (1%)	T <sub>TRIP</sub> (°C)	RSET (1%)
65	0.0	97	1240
66	28.7	98	1330
67	48.7	99	1400
68	69.8	100	1500
69	90.9	101	1580
70	113	102	1690
71	137	103	1820
72	158	104	1960
73	182	105	2050
74	210	106	2210
75	237	107	2370
76	261	108	2550
77	294	109	2740
78	324	110	2940
79	348	111	3160
80	383	112	3480
81	412	113	3740
82	453	114	4120
83	487	115	4530
84	523	116	4990
85	562	117	5490
86	604	118	6040
87	649	119	6810
88	698	120	7870
89	750	121	9090
90	787	122	10700
91	845	123	12700
92	909	124	15800
93	953	125	20500

Table 6.2 TRIP\_SET Resistor Setting (continued)

T <sub>TRIP</sub> (°C)	RSET (1%)	T <sub>TRIP</sub> (°C)	RSET (1%)
94	1020	126	29400
95	1100	127	49900
96	1150	65	Open

## 6.2 Fan Control Modes of Operation

The EMC2113 has four modes of operation for the fan driver. Each mode uses Ramp Rate control and the Spin Up Routine.

1. PWM Setting Mode - in this mode of operation, the user directly controls the PWM duty cycle setting. Updating the Fan Driver Setting Register (see [Section 7.22, "Fan Setting Registers"](#)) will instantly update the fan drive. The driver uses the Spin Up Routine and has user definable ramp rate controls.
  - This is the default mode. The PWM Setting Mode is enabled by clearing both the EN\_ALGO bit in the Fan Configuration Register (see [Section 7.24](#)) and the LUT\_LOCK bit in the Look Up Table Configuration Register (see [Section 7.34](#)).
  - Whenever the PWM Setting Mode is enabled, the current drive will be changed to what was last written into the Fan Driver Setting Register.
  - The Ramp Rate is controlled by the settings of the Max Step register (see [Section 7.28](#)) and Update Period controls ([Section 7.24](#)) and must be enabled via the EN\_RRC bit (see [Section 7.25](#)).
2. Fan Speed Control Mode (FSC) - in this mode of operation, the user determines a fan speed and the drive setting is automatically updated to achieve this target speed. The algorithm uses the Spin Up Routine and has user definable ramp rate controls.
  - This mode is enabled by clearing the LUT\_LOCK bit in the Look Up Table (LUT) Configuration Register and setting the EN\_ALGO bit in the Fan Configuration Register.
3. Using the Look Up Table with Fan Drive Settings (PWM Setting w/ LUT Mode) - In this mode of operation, the user programs the Look Up Table with PWM duty cycle settings and corresponding temperature thresholds. The fan drive is set based on the measured temperatures and the corresponding drive settings. The fan driver uses the Spin Up Routine and has user definable ramp rate controls.
  - This mode is enabled by programming the Look Up Table then setting the LUT\_LOCK bit while the EN\_ALGO bit is set to '0'.
  - The RPM / PWM bit in the Look Up Table Configuration Register MUST be set to '1' or the PWM drive settings will be incorrectly set.
4. Using the Look Up Table with Fan Speed Control algorithm (FSC w/ LUT Mode)- In this mode of operation, the user programs the Look Up Table with fan speed target values and corresponding temperature thresholds. The TACH Target Register will be set based on the measured temperatures and the corresponding target settings. The PWM drive settings will be determined automatically based on the RPM-based Fan Speed Control Algorithm. PWM drive settings will be determined automatically based on the RPM-based Fan Speed Control Algorithm
  - This mode is enabled by programming the Look Up Table then setting the LUT\_LOCK bit while the EN\_ALGO bit is set to '1'.
  - The RPM / PWM bit in the Look Up Table Configuration Register MUST be set to '0' or the TACH Target values will be incorrectly set.

**APPLICATION NOTE:** It is important that the TACH Target settings are in the proper format when using the RPM-based Fan Speed Control Algorithm.

## Datasheet

Table 6.3 Fan Controls Active for Operating Mode

DIRECT PWM SETTING MODE	FSC MODE	DIRECT PWM SETTING W/ LUT MODE	FSC W/ LUT MODE
Fan Driver Setting (read / write)	Fan Driver Setting (read only)	Fan Driver Setting (read only)	Fan Driver Setting (read only)
EDGES[1:0]	EDGES[1:0] (Fan Configuration)	EDGES[1:0]	EDGES[1:0]
-	RANGE[1:0] (Fan Configuration)	-	RANGE[1:0] (Fan Configuration)
UPDATE[2:0] (Fan Configuration)	UPDATE[2:0] (Fan Configuration)	UPDATE[2:0] (Fan Configuration)	UPDATE[2:0] (Fan Configuration)
LEVEL (Spin Up Configuration)	LEVEL (Spin Up Configuration)	LEVEL (Spin Up Configuration)	LEVEL (Spin Up Configuration)
SPINUP_TIME[1:0] (Spin Up Configuration)	SPINUP_TIME[1:0] (Spin Up Configuration)	SPINUP_TIME[1:0] (Spin Up Configuration)	SPINUP_TIME[1:0] (Spin Up Configuration)
Fan Max Step	Fan Max Step	Fan Max Step	Fan Max Step
-	Fan Minimum Drive		Fan Minimum Drive
Valid TACH Count	Valid TACH Count	Valid TACH Count	Valid TACH Count
-	TACH Target (read / write)	-	TACH Target (read only)
TACH Reading	TACH Reading	TACH Reading	TACH Reading
-	-	Look Up Table Drive / Temperature Settings (read only)	Look up Table Drive / Temperature Settings (read only)
-	DRIVE_FAIL_CNT [1:0] (Spin Up Configuration) + Fan Drive Fail Band	-	DRIVE_FAIL_CNT [1:0] (Spin Up Configuration) + Fan Drive Fail Band

### 6.3 PWM Fan Driver

The EMC2113 supports a high or low frequency PWM driver. The output can be configured as either push-pull or open drain and the frequency ranges from 9.5Hz to 26kHz in four programmable frequency bands.

The PWM frequency range is coarsely adjusted via the PWM Base Frequency register ([Section 7.19](#)) with a fine tune adjustment performed via the PWM Divider registers (see [Section 7.23](#)). General PWM operation is governed by the PWM Configuration register (see [Section 7.18](#)).

### 6.4 Fan Control Look-Up Table

The EMC2113 uses a look-up table to apply a user-programmable fan control profile based on measured temperature to the fan driver. In this look-up table, each temperature channel is allowed to control the fan drive output independently (or jointly) by programming up to eight pairs of temperature and drive setting entries.

The Look Up Table supports external data pushed into the device by the Host in either DTS or standard format. Each of the four temperature channels used by the Look Up table is generated from measured temperature sensors on the EMC2113 or from an external source.

The user programs the look-up table based on the desired operation. If the RPM-based Fan Speed Control Algorithm is to be used (see [Section 6.6, "RPM-Based Fan Speed Control Algorithm \(FSC\)"](#)), then the user must program a fan speed target for each temperature setting of interest. Alternately, if the RPM-based Fan Speed Control Algorithm is not to be used, then the user must program a PWM setting for each temperature setting of interest.

If the measured temperature on the External Diode channel meets or exceeds any of the temperature thresholds for any of the channels, the fan output will be automatically set to the desired setting corresponding to the exceeded temperature. In cases where multiple temperature channel thresholds are exceeded, the highest fan drive setting will take precedence. [Figure 6.3, "Fan Control Look-Up Table Example"](#) shows an example of this behavior using a single channel.

When the measured temperature drops to a point below a lower threshold minus the hysteresis value, the fan output will be set to the corresponding lower set point.

To turn the fan off, there are 2 methods:

- The first is to set the Temps1-4 Setting 1 values (+ hysteresis) above the temperatures desired for the fan to turn off. When the temperatures fall below Temps1-4 (out of the LUT) by the hysteresis amount, the fan drive will be set to 0.
- The second is to set the Drive 1 value to 0% (or 0RPM) as well as the Temp 1-4 values to the temperatures (+ hysteresis) at which the fan should turn off. This method will reduce the effective amount of fan drive settings to 7.

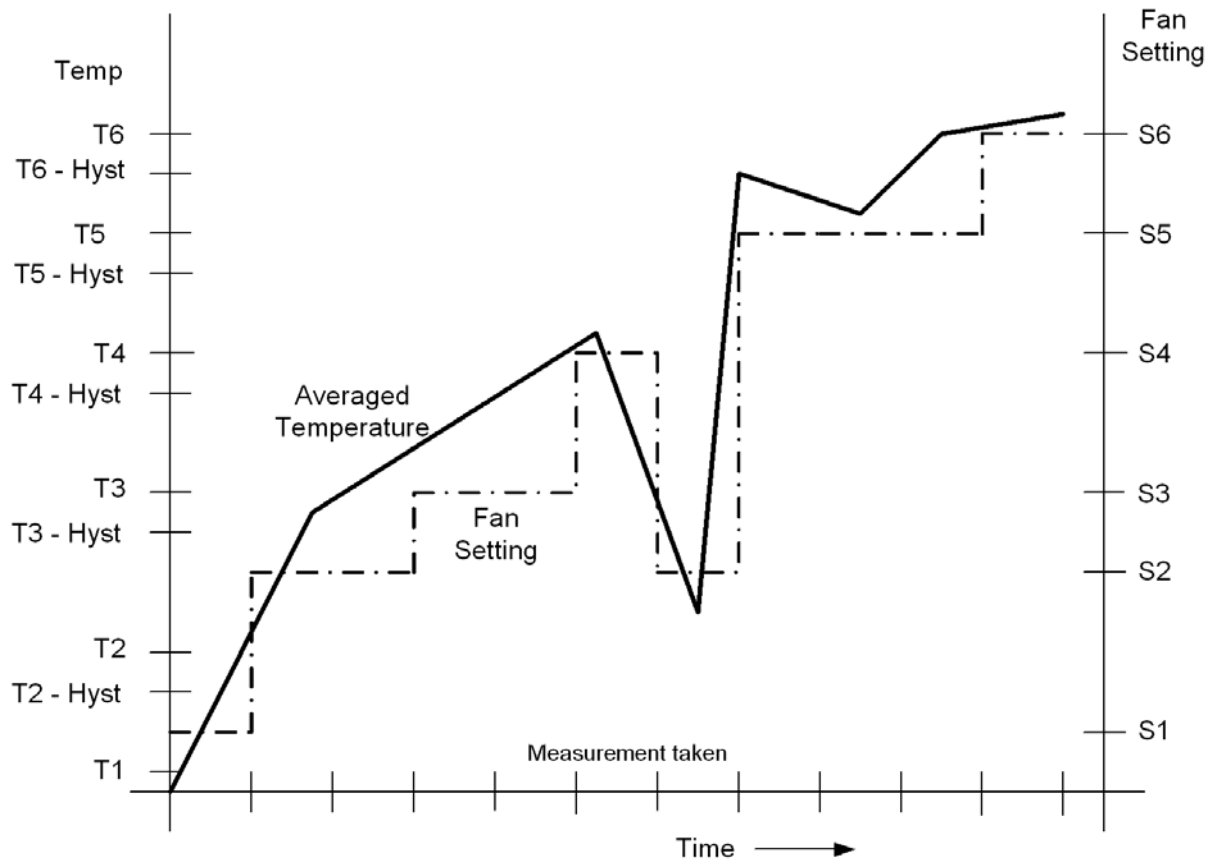


Figure 6.3 Fan Control Look-Up Table Example

## Datasheet

### 6.4.1 Programming the Look Up Table

When the Look Up Table is used, it must be loaded and configured correctly based on the system requirements. The following steps outline the procedure.

1. Determine whether the Look Up Table will drive a PWM duty cycle or a tachometer target value and set the RPM / PWM bit in the Fan LUT Configuration Register (see [Section 7.34, "Look Up Table Configuration Register"](#)).
2. Determine which measurement channels (up to four) are to be used with the Look Up Table and set the TEMP1\_CFG, TEMP3\_CFG and TEMP4\_CFG bits accordingly in the Fan LUT Configuration Register.
3. For each step to be used in the LUT, set the Fan Setting (either PWM or TACH Target as set by the RPM / PWM bit). If a setting is not used, then set it to FFh (if a PWM) or 00h (if a TACH Target). Load the lowest settings first in ascending order (i.e. Fan Setting 1 is the lowest setting greater than "off". Fan Setting 2 is the next highest setting, etc.). See [Section 7.35, "Look Up Table Registers"](#).
4. For each step to be used in the LUT, set each of the measurement channel thresholds. These values must be set in the same data format that the data is presented. If DTS is to be used, then the format should be in temperature with a maximum threshold of 100°C (64h). If a measurement channel is not used, then set the threshold at FFh.
5. Update the threshold hysteresis to be smaller than the smallest table step.
6. Configure the RPM-based Fan Speed Control Algorithm if it is to be used. See [Section 7.24, "Fan Configuration 1 Register"](#) for more details.
7. Set the LUT\_LOCK bit to enable the Look Up Table and begin fan control in the Fan LUT Configuration Register.

### 6.4.2 DTS Support

The EMC2113 supports DTS (Intel's Digital Temperature Sensor) data in the Fan Control Look Up Table. Intel's DTS data is a positive number that represents the processor's relative temperature below a fixed value called  $T_{CONTROL}$  which is generally equal to 100°C for Intel Mobile processors. For example, a DTS value of 10°C means that the actual processor temperature is 10°C below  $T_{CONTROL}$  or equal to 90°C.

Either or both of the Pushed Temperature Registers can be written with DTS data and used to control the fan driver. When DTS data is entered, then the USE\_DTS\_Fx bit must be set in the Fan LUT Configuration register. Once this bit is set, the DTS data entered is automatically subtracted from a value of 100°C. This delta value is then used in the Look Up Table as standard temperature data.

**APPLICATION NOTE:** The device is designed with the assumption that  $T_{CONTROL}$  is 100°C. As such, all DTS related conversions are done based on this value including Look Up Table comparisons. If  $T_{CONTROL}$  is adjusted (i.e.  $T_{CONTROL}$  is shifted to 105°C), then all of the Look Up Table thresholds should be adjusted by a value equal to  $T_{CONTROL} - 100°C$ .

## 6.5 PWM Input

The EMC2113 supports a PWM input that is used as an input to the fan speed control Look Up Table. This is controlled by the PUSH1\_CFG bit and either the TEMP1\_CFG or TEMP3\_CFG bits in the Look Up Table Configuration register (see [Section 7.34](#)).

When a signal is driven into the PWM\_IN pin, then the device will automatically calculate the duty cycle of the input signal (provided that the frequency is within the specified range). This value is stored in the PWM Input Duty Cycle register and may be used as an input to the Look Up Table.

**APPLICATION NOTE:** The PWM Input duty cycle value is a unit-less value that does not correspond to specific temperature values. When used in the Fan Control LUT, it is compared against unit-less 7-bit values that represent PWM duty cycle thresholds to control the desired fan speed.

This functionality is always active. If the pin does not transition, then it will assume 100% duty cycle or 0% duty cycle based on the pin voltage. The data range required by the Look Up Table is 0 to 127 so 100% duty cycle corresponds to 127 and 0% corresponds to 0.

The duty cycle measured on the PWM\_IN pin is compared against a user programmed PWM High Limit. If the measured duty cycle meets or exceeds this value, then it may cause the  $\overline{\text{ALERT}}$  pin to be asserted (default operation is to mask this event from asserting the  $\overline{\text{ALERT}}$  pin).

## 6.6 RPM-Based Fan Speed Control Algorithm (FSC)

The EMC2113 includes an RPM-based Fan Speed Control Algorithm.

This fan control algorithm uses Proportional, Integral, and Derivative terms to automatically approach and maintain the system's desired fan speed to an accuracy directly proportional to the accuracy of the clock source.

The desired tachometer count is set by the user inputting the desired number of 32.768KHz cycles that occur per fan revolution. This is done either manually or by programming the Temperature Look-Up Table. The user may change the target count at any time. The user may also set the target count to FFh in order to disable the fan driver for lower current operation.

For example, if a desired RPM rate for a 2-pole fan is 3000 RPM then the user would input the hexadecimal equivalent of 1296 (51h in the TACH Target Register). This number represents the number of 32.768KHz cycles that would occur during the time it takes the fan to complete a single revolution when it is spinning at 3000RPMs.

The EMC2113's RPM-based Fan Speed Control Algorithm has programmable configuration settings for parameters such as ramp-rate control and spin up conditions. The fan driver automatically detects and attempts to alleviate a stalled/stuck fan condition while also asserting the  $\overline{\text{ALERT}}$  pin. The EMC2113 works with fans that operate up to 16,000 RPMs and provide a valid tachometer signal.

### 6.6.1 Programming the RPM-Based Fan Speed Control Algorithm

The RPM-based Fan Speed Control Algorithm powers-up disabled. The following registers control the algorithm. The EMC2113 fan control registers are pre-loaded with defaults that will work for a wide variety of fans so only the TACH Target Register is required to set a fan speed. The other fan control registers can be used to fine-tune the algorithm behavior based on application requirements.

Note that steps 1 - 7 are optional and need only be performed if the default settings do not provide the desired fan response.

1. Set the Valid TACH Count Register to maximum number of tach counts to indicate the fan is spinning.
2. Set the Spin Up Configuration Register to the Spin Up Level and Spin Time desired.
3. Set the Fan Step Register to the desired step size.
4. Set the Fan Minimum Drive Register to the minimum drive value that will maintain fan operation.
5. Set the Update Time and Edges options in the Fan Configuration Register.
6. Set the TACH Target Register to the desired tachometer count.
7. Enable the RPM-based Fan Speed Control Algorithm by setting the EN\_ALGO bit.

## 6.7 Tachometer Measurement

The tachometer measurement circuitry is used in conjunction with the RPM-based Fan Speed Control Algorithm to update the fan driver output. Additionally, it can be used in Direct Setting mode as a diagnostic for host based fan control.

**Datasheet**

The EMC2113 monitors the TACH signal in real time. It constantly updates the tachometer measurement by reporting the number of clocks between a user programmed number of edges on the TACH signal (see [Table 7.34, "Minimum Edges for Fan Rotation"](#)).

Using the Tach Period Measurement method provides fast response times for the RPM-based Fan Speed Control Algorithm and the data is presented as a count value that represents the fan RPM period. When this method is used, all fan target values must be input as a count value for proper operation.

**APPLICATION NOTE:** The Tach Period Measurement method works independently of the drive settings. If the device is put into Direct Setting and the fan drive is set at a level that is lower than the fan can operate (including zero drive), then the tachometer measurement may signal a Stalled Fan condition and assert an interrupt.

**6.7.1 Stalled Fan**

A Stalled fan is detected if the tach counter exceeds the user-programmable Valid TACH Count setting. The EMC2113 will flag the fan as stalled and trigger an interrupt.

If the RPM-based Fan Speed Control Algorithm is enabled, the algorithm will automatically attempt to restart the fan until it detects a valid tachometer level or is disabled.

The FAN\_STALL Status bit indicates that a stalled fan was detected. This bit is checked conditionally depending on the mode of operation.

- When the Direct Setting Mode or Direct Setting with LUT Mode are enabled, the FAN\_STALL interrupt will be masked for the duration of the programmed Spin Up Time (see [Table 7.44, "Spin Time"](#)). This is to allow the fan opportunity to reach a valid speed without generating unnecessary interrupts.
- In Direct Setting Mode or Direct Setting with LUT Mode, whenever the drive value is changed from 00h, the FAN\_STALL interrupt will be masked for the duration of the programmed Spin Up Time to allow the fan opportunity to reach a valid speed without generating unnecessary interrupts.
- In Direct Setting Mode or Direct Setting w/ LUT Mode, and the tachometer measurement is using the Tach Period Measurement method, then whenever the TACH Reading Register value exceeds the Valid TACH Count Register setting, the FAN\_STALL status bit will be set.
- When using the RPM-based Fan Speed Control Algorithm (either FSC Mode or LUT with FSC Mode), the stalled fan condition is checked whenever the Update Time is met and the fan drive setting is updated. It is not a continuous check.

**6.7.2 Aging Fan or Invalid Drive Detection**

The EMC2113 contains circuitry that detects that the programmed fan speed can be reached by the fan. If the target fan speed cannot be reached within a user defined band of tach counts at maximum drive then the DRIVE\_FAIL status bit is set and the  $\overline{\text{ALERT}}$  pin is asserted. This is useful to detect aging fan conditions (where the fan's natural maximum speed degrades over time) or incorrect fan speed settings.

**6.8 Spin Up Routine**

The EMC2113 also contains programmable circuitry to control the spin up behavior of the fan driver to ensure proper fan operation. The Spin Up Routine is initiated under the following conditions when the Tach Period Measurement method of tach measurement is used: This applies to both the RPM-based Fan Speed Control Algorithm mode, or Direct Setting mode (with or without the Look Up Table - when enabled).

1. The TACH Target Register value changes from a value of FFh to a value that is less than the Valid TACH Count (see [Section 7.30, "Valid TACH Count Register"](#)).
2. The RPM-based Fan Speed Control Algorithm's measured TACH Reading Register value is greater than the Valid TACH Count setting.

When the Spin Up Routine is operating, the fan driver is set to full scale (optional) for one quarter of the total user defined spin up time. For the remaining spin up time, the fan driver output is set to a user defined level (30% through 65% drive).

After the Spin Up Routine has finished, the EMC2113 measures the TACH signal. If the measured TACH Reading Register value is higher than the Valid TACH Count Register setting, the FAN\_SPIN status bit is set and the Spin Up Routine will automatically attempt to restart the fan.

Figure 6.4, "Spin Up Routine" shows an example of the Spin Up Routine in response to a programmed fan speed change based on the first condition above.

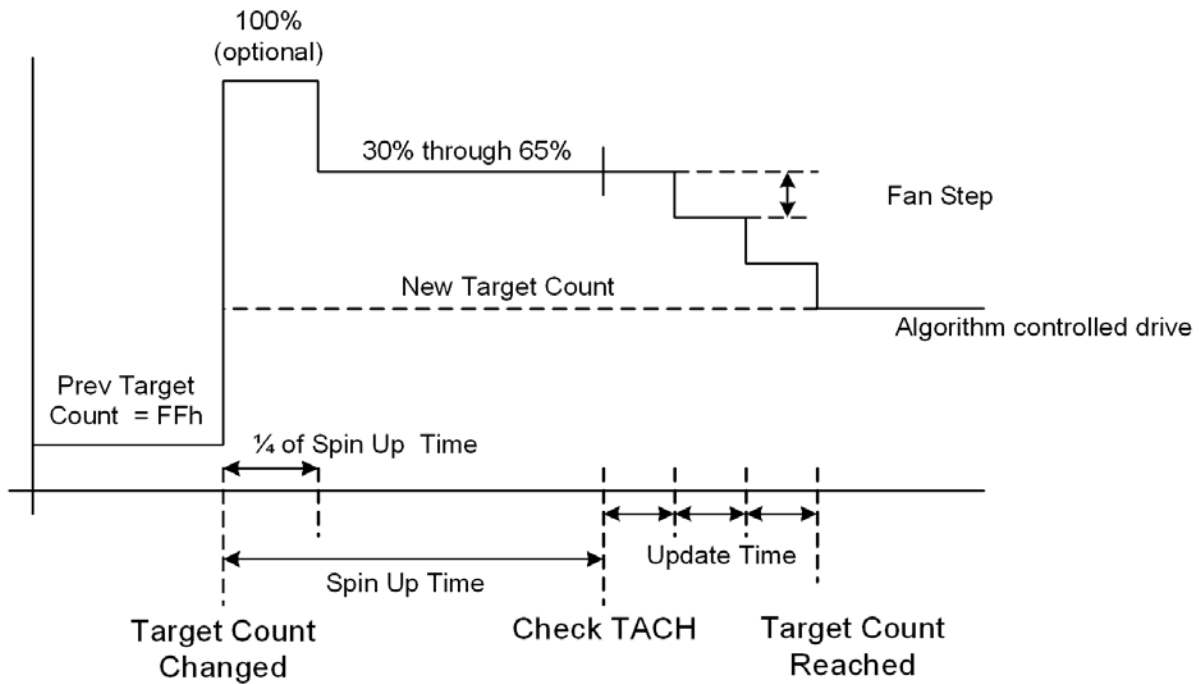


Figure 6.4 Spin Up Routine

## 6.9 Ramp Rate Control

The PWM output drive can be configured with automatic ramp rate control. If the RPM-based Fan Speed Control Algorithm is used, then this ramp rate control is automatically used based on the fan control derivative option settings. The user programs a maximum step size for the PWM setting and an update time. The update time varies from 100ms to 1.6s while the PWM maximum step can vary from 1 PWM count to 31 PWM counts.

When a new PWM duty cycle value is entered (either directly, as a result of the FSC Algorithm adjusting the output PWM to meet the programmed TACH Target value, or as a result of the ramp rate control circuitry), the delta from the next PWM and the previous PWM is determined. If this delta is greater than the maximum fan step settings, then the PWM is adjusted by the maximum fan step settings.

The PWM duty cycle is adjusted (and the delta recalculated) every 100ms to 1.6s as determined by the Update Time until the target PWM setting is reached. See Figure 6.5, "Ramp Rate Control".



## Datasheet

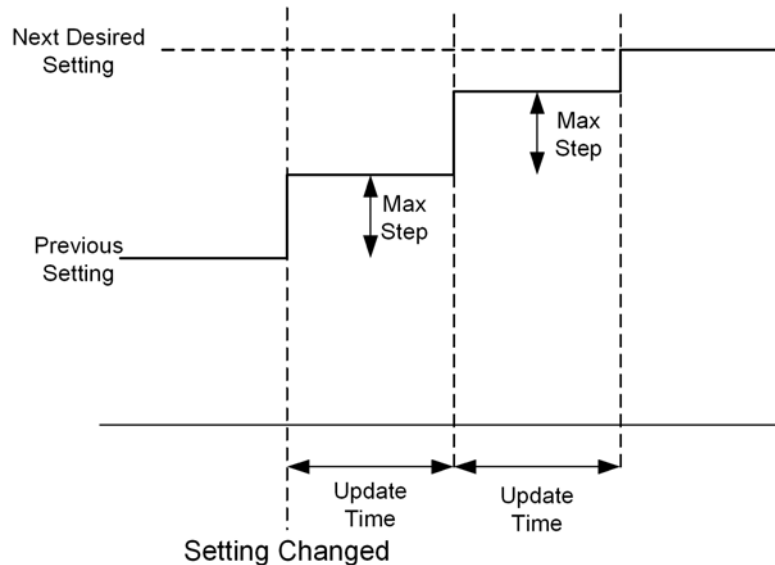


Figure 6.5 Ramp Rate Control

## 6.10 Watchdog Timer

The EMC2113 contains an internal Watchdog Timer for the fan driver. The Watchdog timer monitors the SMBus traffic for signs of activity and works in two different modes based upon device operation. These modes are Power Up Operation and Continuous Operation as described below.

For either mode of operation, if four (4) seconds elapse without activity detected by the host, then the watchdog will be triggered and the following will occur:

1. The WATCH status bit will be set which will cause the  $\overline{\text{ALERT}}$  pin to be asserted.
2. The fan driver will be set to full scale drive. It will remain at full scale drive until it is disabled.

**APPLICATION NOTE:** When the Watchdog timer is activated the Fan Speed Control Algorithm is automatically disabled. Disabling the Watchdog will not automatically set the fan drive nor re-activate the Fan Speed Control Algorithm. This must be done manually.

### 6.10.1 Power Up Operation

The Watchdog Timer only starts immediately after power-up and once it has been triggered or deactivated will not restart although it can be configured to operate in Continuous operation.

In the Power Up Operation, the Watchdog Timer is disabled by any of the following actions:

1. Writing the Fan Setting Register will disable the Watchdog Timer.
2. Enabling the RPM-based Fan Speed Control Algorithm by setting the EN\_ALGO bit will disable the Watchdog Timer. The fan driver will be set based on the RPM-based Fan Speed Control Algorithm.
3. Changing the Watchdog operating mode by setting the WD\_EN bit.

Writing any other configuration registers will not disable the Watchdog Timer upon power up.

## 6.10.2 Continuous Operation

When configured to operate in Continuous Operation, the Watchdog timer will start immediately. It can be disabled by any access (read or write) to the SMBus register set. Upon completion of SMBus activity, the Watchdog timer is reset and restarted.

## 6.11 Fault Queue

The EMC2113 contains a programmable fault queue on all fault conditions. The fault queue defines how many consecutive out-of-limit conditions must be reported before the corresponding status bit is set (and the ALERT pin asserted).

## 6.12 ALERT Pin

The ALERT pin acts as an active low open drain interrupt that flags several conditions. It will be asserted low when:

1. The FSC Algorithm detects a stalled fan.
2. The measured temperature meets or exceeds its programmed high limit or drops below its programmed low limit.
3. A diode fault is detected.
4. The PWM input duty cycle has exceeded its programmed limit.

Once asserted, the ALERT pin will remain asserted until the status bits have been cleared or the MASK bit has been set.

## 6.13 Temperature Monitoring

The EMC2113 can monitor the temperature of up to three (3) externally connected diodes as well as the internal or ambient temperature. Each channel is configured with Resistance Error Correction, BJT Transistor model support, and Averaging enabled or disabled based on user settings and system requirements. All temperature channels offer 1°C accuracy and 0.125°C resolution.

### 6.13.1 Dynamic Averaging

The EMC2113 supports dynamic averaging. When enabled, this feature changes the conversion time for all channels based on the selected conversion rate. This essentially increases the averaging factor as shown in [Table 6.4, "Dynamic Averaging Behavior"](#). The benefits of Dynamic Averaging are improved noise rejection due to the longer integration time as well as less random variation on the temperature measurement.

**Table 6.4 Dynamic Averaging Behavior**

CONVERSION RATE	AVERAGING FACTOR (RELATIVE TO 11-BIT CONVERSION)	
	DYNAMIC AVERAGING ENABLED	DYNAMIC AVERAGING DISABLED
1 / sec	8x	1x
2 / sec	4x	1x
4 / sec	2x	1x
Continuous	1x	1x

## Datasheet

## 6.13.2 Resistance Error Correction

The EMC2113 includes active Resistance Error Correction to remove the effect of up to 100 ohms of series resistance. Without this automatic feature, voltage developed across the parasitic resistance in the remote diode path causes the temperature to read higher than the true temperature is. The error induced by parasitic resistance is approximately +0.7°C per ohm. Sources of parasitic resistance include bulk resistance in the remote temperature transistor junctions, series resistance in the CPU, and resistance in the printed circuit board traces and package leads. Resistance error correction in the EMC2113 eliminates the need to characterize and compensate for parasitic resistance in the remote diode path.

## 6.13.3 Beta Compensation

The forward current gain, or beta, of a transistor is not constant as emitter currents change. As well, it is not constant over changes in temperature. The variation in beta causes an error in temperature reading that is proportional to absolute temperature. This correction is done by implementing the BJT or transistor model for temperature measurement.

For discrete transistors configured with the collector and base shorted together, the beta is generally sufficiently high such that the percent change in beta variation is very small. For example, a 10% variation in beta for two forced emitter currents with a transistor whose ideal beta is 50 would contribute approximately 0.25°C error at 100°C. However for substrate transistors where the base-emitter junction is used for temperature measurement and the collector is tied to the substrate, the proportional beta variation will cause large error. For example, a 10% variation in beta for two forced emitter currents with a transistor whose ideal beta is 0.5 would contribute approximately 8.25°C error at 100°C.

The Beta Compensation circuitry in the EMC2113 corrects for this beta variation to eliminate any error which would normally be induced. It automatically detects the appropriate beta setting to use.

## 6.13.4 Ideality Configuration

The EMC2113 is designed for external diodes with an ideality factor of 1.008. Not all external diodes, processor or discrete, will have this exact value. This variation of the ideality factor introduces error in the temperature measurement which must be corrected for. This correction is typically done using programmable offset registers. Since an ideality factor mismatch introduces an error that is a function of temperature, this correction is only accurate within a small range of temperatures. To provide maximum flexibility to the user, the EMC2113 provides a register for each external diode where the ideality factor of the diode used may be programmed to eliminate errors across all temperatures.

**APPLICATION NOTE:** When monitoring a substrate transistor or CPU diode and beta compensation is enabled, the Ideality Factor should not be adjusted. Beta Compensation automatically corrects for most ideality errors.

## 6.13.5 Digital Averaging

The external diode channels support a 4x digital averaging filter. Every cycle, this filter updates the temperature data based on a running average of the last 4 measured temperature values. The digital averaging reduces temperature flickering and increases temperature measurement stability.

The digital averaging can be disabled by setting the DIS\_AVG bit in the Configuration 2 Register (see [Section 7.25, "Fan Configuration 2 Register"](#)).

## 6.14 Diode Connections

The External Diode 1 channel can support a diode-connected transistor (such as a 2N3904) or a substrate transistor requiring the BJT or transistor model (such as those found in a CPU or GPU) as shown in [Figure 6.6, "Diode Connections"](#).

The External Diode 2 channel supports any diode connection shown or it can be configured to operate in anti-parallel diode (APD) mode. When configured in APD mode, a third temperature channel is

available that shares the DP2 and DN2 pins. When in this mode, both the external diode 2 channel and external diode 3 channel thermal diodes must be connected as diodes.

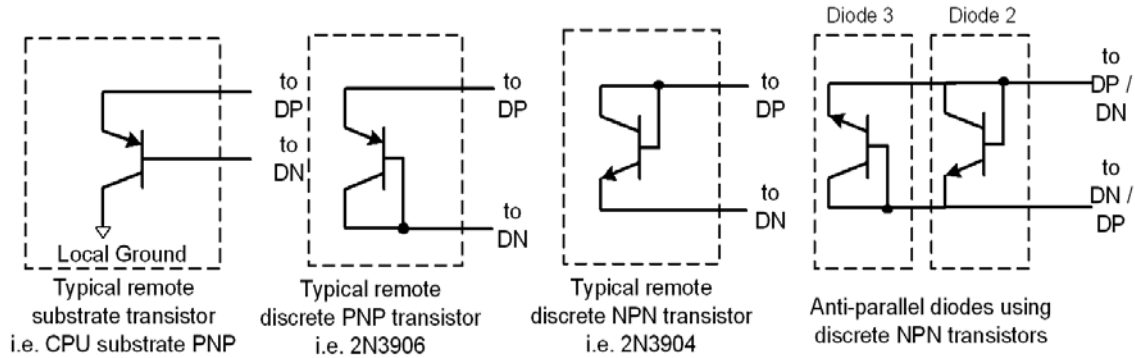


Figure 6.6 Diode Connections

### 6.14.1 Anti-Parallel Diodes

The EMC2113 supports connecting two external diodes to the DN2 / DP3 and DP2 / DN3 pins. This second diode is connected in an anti-parallel configuration with respect to the first diode. When the External Diode 2 channel is measured, the anti-parallel diode will be reverse biased. Likewise, when the External Diode 3 channel is measured, the first diode will be reverse biased. CPU diodes should not be used with anti-parallel diode connections.

### 6.14.2 Diode Faults

The EMC2113 actively detects an open and short condition on each measurement channel. When a diode fault is detected, the temperature data MSByte is forced to a value of 80h and the FAULT bit is set in the Status Register. When the External Diode 2 channel is configured to operate in APD mode, the circuitry will detect independent open fault conditions; however, a short condition will be shared between the External Diode 2 and External Diode 3 channels.

## Datasheet

# Chapter 7 Fan Control Register Set

## 7.1 Register Map

The following registers are accessible through the SMBus Interface. All register bits marked as '-' will always read '0'. A write to these bits will have no effect.

**Table 7.1 EMC2113 Register Set**

ADDR	R/W	REGISTER NAME	FUNCTION	DEFAULT VALUE	LOCK	PAGE
Temperature Registers						
00h	R	Internal Temp Reading High Byte	Stores the integer data of the Internal Diode	00h	No	<a href="#">Page 44</a>
01h	R	Internal Temp Reading Low Byte	Stores the fractional data of the Internal Diode	00h	No	<a href="#">Page 44</a>
02h	R	External Diode 1 Temp Reading High Byte	Stores the integer data of External Diode 1	00h	No	<a href="#">Page 44</a>
03h	R	External Diode 1 Temp Reading Low Byte	Stores the fractional data of External Diode 1	00h	No	<a href="#">Page 44</a>
04h	R	External Diode 2 Temp Reading High Byte	Stores the integer data of External Diode 2	00h	No	<a href="#">Page 44</a>
05h	R	External Diode 2 Temp Reading Low Byte	Stores the fractional data of External Diode 2	00h	No	<a href="#">Page 44</a>
06h	R	External Diode 3 Temp Reading High Byte	Stores the integer data of External Diode 3	00h	No	<a href="#">Page 44</a>
07h	R	External Diode 3 Temp Reading Low Byte	Stores the fractional data of External Diode 3	00h	No	<a href="#">Page 44</a>
0Ah	R	Critical/Thermal Shutdown Temperature	Stores the calculated Critical/Thermal Shutdown temperature high limit derived from TRIP_SET pin voltage	N/A	No	<a href="#">Page 45</a>
0Ch	R/W	Pushed Temperature 1	Stores the integer data for Pushed Temperature 1 to drive the LUT	00h	No	<a href="#">Page 45</a>
0Dh	R/W	Pushed Temperature 2	Stores the integer data for Pushed Temperature 2 to drive the LUT	00h	No	<a href="#">Page 45</a>
0Fh	R	PWM Input Duty Cycle	Stores the calculated duty cycle on the PWM pin	00h	No	<a href="#">Page 46</a>
10h	R	TRIP_SET Voltage	Stores the measured voltage on the TRIP_SET pin	FFh	No	<a href="#">Page 46</a>

Table 7.1 EMC2113 Register Set (continued)

ADDR	R/W	REGISTER NAME	FUNCTION	DEFAULT VALUE	LOCK	PAGE
Diode Configuration						
11h	R/W	External Diode 1 Ideality Register	Stores the Ideality Factor used for External Diode 1	12h	SWL	<a href="#">Page 46</a>
12h	R/W	External Diode 2 Ideality Register	Stores the Ideality factor used for External Diode 2	12h	SWL	<a href="#">Page 46</a>
13h	R/W	External Diode 3 Ideality Register	Stores the Ideality factor used for External Diode 3	12h	SWL	<a href="#">Page 46</a>
14h	R/W	External Diode 1 Beta Configuration	Configures the beta compensation settings for External Diode 1	10h	SWL	<a href="#">Page 48</a>
15h	R/W	External Diode 2 Beta Configuration	Configures the beta compensation settings for External Diode 2	10h	SWL	<a href="#">Page 48</a>
17h	R/W	External Diode REC Configuration	Configures the Resistance Error Correction functionality for all external diodes	07h	SWL	<a href="#">Page 49</a>
Critical Temperature Limit Registers						
19h	R/W once	External Diode 1 Tcrit Limit	Stores the critical temperature limit for External Diode 1	64h (100°C)	Write Once	<a href="#">Page 50</a>
1Ah	R/W once	External Diode 2 Tcrit Limit	Stores the critical temperature limit for External Diode 2	64h (100°C)	Write Once	<a href="#">Page 50</a>
1Bh	R/W once	External Diode 3 Tcrit Limit	Stores the critical temperature limit for External Diode 3	64h (100°C)	Write Once	<a href="#">Page 50</a>
1Dh	R/W once	Internal Diode Tcrit Limit	Stores the critical temperature limit for the Internal Diode	64h (100°C)	Write Once	<a href="#">Page 50</a>
Configuration and control						
1Fh	R	Tcrit Status	Stores the status bits for all temperature channel tcrit limits	00h	No	<a href="#">Page 53</a>
20h	R/W	Configuration	Configures the Thermal / Critical Shutdown masking options	00h	SWL	<a href="#">Page 50</a>
21h	R/W	Configuration 2	Controls the conversion rate for monitoring of all channels	0Eh	SWL	<a href="#">Page 51</a>
23h	R	Interrupt Status	Stores the status bits for temperature channels	00h	No	<a href="#">Page 53</a>
24h	R-C	High Limit Status	Stores the status bits for all temperature channel high limits	00h	No	<a href="#">Page 53</a>
25h	R-C	Low Limit Status	Stores the status bits for all temperature channel low limits	00h	No	<a href="#">Page 53</a>
26h	R-C	Diode Fault	Stores the status bits for all temperature channel diode faults	00h	No	<a href="#">Page 53</a>
27h	R-C	Fan Status	Stores the status bits for the RPM-based Fan Speed Control Algorithm	00h	No	<a href="#">Page 54</a>
28h	R/W	Interrupt Enable Register	Controls the masking of interrupts on all temperature channels	00h	No	<a href="#">Page 54</a>

## Datasheet

Table 7.1 EMC2113 Register Set (continued)

ADDR	R/W	REGISTER NAME	FUNCTION	DEFAULT VALUE	LOCK	PAGE
29h	R/W	Fan Interrupt Enable Register	Controls the masking of interrupts for the Fan Driver	00h	No	Page 55
2Ah	R/W	PWM Driver Config	Configures the PWM driver	00h	No	Page 56
2Bh	R/W	PWM Driver Base Frequency	Controls the base frequency of the PWM driver	00h	No	Page 56
Temperature High Limit Registers						
30h	R/W	External Diode 1 Temp High Limit	High limit for External Diode 1	55h (+85°C)	SWL	Page 57
31h	R/W	External Diode 2 Temp High Limit	High limit for External Diode 2	55h (+85°C)	SWL	Page 57
32h	R/W	External Diode 3 Temp High Limit	High limit for External Diode 3	55h (+85°C)	SWL	Page 57
34h	R/W	Internal Diode High Limit	High Limit for Internal Diode	55h (85°C)	SWL	Page 57
Temperature Low Limit Registers						
38h	R/W	External Diode 1 Temp Low Limit	Low Limit for External Diode 1	00h (0°C)	SWL	Page 57
39h	R/W	External Diode 2 Temp Low Limit	Low Limit for External Diode 2	00h (0°C)	SWL	Page 57
3Ah	R/W	External Diode 3 Temp Low Limit	Low Limit for External Diode 3	00h (0°C)	SWL	Page 57
3Ch	R/W	Internal Diode Low Limit	Low Limit for Internal Diode	00h (0°C)	SWL	Page 57
PWM Input Duty Cycle Limit						
3Dh	R/W	PWM Input Duty Cycle High Limit	Stores the high limit for the PWM input Duty Cycle	7Fh	SWL	Page 57
Fan Control Registers						
40h	R/W	Fan Setting	Always displays the most recent fan driver input setting for Fan. If the RPM-based Fan Speed Control Algorithm is disabled, allows direct user control of the fan driver.	00h	No	Page 58
41h	R/W	PWM Divide	Stores the divide ratio to set the frequency for the Fan	01h	No	Page 58
42h	R/W	Fan Configuration 1	Sets configuration values for the RPM-based Fan Speed Control Algorithm for the Fan	2Bh	No	Page 58
43h	R/W	Fan Configuration 2	Sets additional configuration values for the Fan driver	28h	SWL	Page 60
45h	R/W	Gain	Holds the gain terms used by the RPM-based Fan Speed Control Algorithm for the Fan	2Ah	SWL	Page 62

Table 7.1 EMC2113 Register Set (continued)

ADDR	R/W	REGISTER NAME	FUNCTION	DEFAULT VALUE	LOCK	PAGE
46h	R/W	Fan Spin Up Configuration	Sets the configuration values for Spin Up Routine of the Fan driver	19h	SWL	Page 62
47h	R/W	Fan Step	Sets the maximum change per update for the Fan	10h	SWL	Page 64
48h	R/W	Fan Minimum Drive	Sets the minimum drive value for the the Fan driver	66h (40%)	SWL	Page 64
49h	R/W	Fan Valid TACH Count	Holds the minimum tachometer reading that indicates the fan is spinning properly	F5h	SWL	Page 65
4Ah	R/W	Fan Drive Fail Band Low Byte	Stores the number of Tach counts used to determine how the actual fan speed must match the target fan speed at full scale drive	00h	SWL	Page 65
4Bh	R/W	Fan Drive Fail Band High Byte		00h	SWL	
4Ch	R/W	TACH Target Low Byte	Holds the target tachometer reading low byte for the Fan	F8h	No	Page 66
4Dh	R/W	TACH Target High Byte	Holds the target tachometer reading high byte for the Fan	FFh	No	Page 66
4Eh	R	TACH Reading High Byte	Holds the tachometer reading high byte for the Fan	FFh	No	Page 66
4Fh	R	TACH Reading Low Byte	Holds the tachometer reading low byte for the Fan	F8h	No	Page 66
Look Up Table (LUT)						
50h	R/W	LUT Configuration	Stores and controls the configuration for the LUT	00h	No	Page 67
51h	R/W	LUT Drive 1	Stores the lowest programmed drive setting for the LUT	FBh	LUT Lock	Page 68
52h	R/W	LUT Temp 1 Setting 1	Stores the threshold level for the External Diode 1 channel that is associated with the Drive 1 value	7Fh (127°C)	LUT Lock	Page 68
53h	R/W	LUT Temp 2 Setting 1	Stores the threshold level for the External Diode 2 channel that is associated with the Drive 1 value	7Fh (127°C)	LUT Lock	Page 68
54h	R/W	LUT Temp 3 Setting 1	Stores the threshold level for the External Diode 3 channel (or Pushed Temp 1 temp) that is associated with the Drive 1 value	7Fh (127°C)	LUT Lock	Page 68
55h	R/W	LUT Temp 4 Setting 1	Stores the threshold level for the Internal Diode channel (or Pushed Temp 2 temp) that is associated with the Drive 1 value	7Fh (127°C)	LUT Lock	Page 68
56h	R/W	LUT Drive 2	Stores the second programmed drive setting for the LUT	E6h	LUT Lock	Page 68
57h	R/W	LUT Temp 1 Setting 2	Stores the threshold level for the External Diode 1 channel that is associated with the Drive 2 value	7Fh (127°C)	LUT Lock	Page 68



## Datasheet

Table 7.1 EMC2113 Register Set (continued)

ADDR	R/W	REGISTER NAME	FUNCTION	DEFAULT VALUE	LOCK	PAGE
58h	R/W	LUT Temp 2 Setting 2	Stores the threshold level for the External Diode 2 channel that is associated with the Drive 2 value	7Fh (127°C)	LUT Lock	Page 68
59h	R/W	LUT Temp 3 Setting 2	Stores the threshold level for the External Diode 3 channel (or Pushed Temp 1 temp) that is associated with the Drive 2 value	7Fh (127°C)	LUT Lock	Page 68
5Ah	R/W	LUT Temp 4 Setting 2	Stores the threshold level for the Internal Diode channel (or Pushed Temp 2 temp) that is associated with the Drive 2 value	7Fh (127°C)	LUT Lock	Page 68
5Bh	R/W	LUT Drive 3	Stores the third programmed drive setting for the LUT	D1h	LUT Lock	Page 68
5Ch	R/W	LUT Temp 1 Setting 3	Stores the threshold level for the External Diode 1 channel that is associated with the Drive 3 value	7Fh (127°C)	LUT Lock	Page 68
5Dh	R/W	LUT Temp 2 Setting 3	Stores the threshold level for the External Diode 2 channel that is associated with the Drive 3 value	7Fh (127°C)	LUT Lock	Page 68
5Eh	R/W	LUT Temp 3 Setting 3	Stores the threshold level for the External Diode 3 channel (or Pushed Temp 1 temp) that is associated with the Drive 3 value	7Fh (127°C)	LUT Lock	Page 68
5Fh	R/W	LUT Temp 4 Setting 3	Stores the threshold level for the Internal Diode channel (or Pushed Temp 2 temp) that is associated with the Drive 3 value	7Fh (127°C)	LUT Lock	Page 68
60h	R/W	LUT Drive 4	Stores the fourth programmed drive setting for the LUT	BCh	LUT Lock	Page 68
61h	R/W	LUT Temp 1 Setting 4	Stores the threshold level for the External Diode 1 channel that is associated with the Drive 4 value	7Fh (127°C)	LUT Lock	Page 68
62h	R/W	LUT Temp 2 Setting 4	Stores the threshold level for the External Diode 2 channel that is associated with the Drive 4 value	7Fh (127°C)	LUT Lock	Page 68
63h	R/W	LUT Temp 3 Setting 4	Stores the threshold level for the External Diode 3 channel (or Pushed Temp 1 temp) that is associated with the Drive 4 value	7Fh (127°C)	LUT Lock	Page 68
64h	R/W	LUT Temp 4 Setting 4	Stores the threshold level for the Internal Diode channel (or Pushed Temp 2 temp) that is associated with the Drive 4 value	7Fh (127°C)	LUT Lock	Page 68
65h	R/W	LUT Drive 5	Stores the fifth programmed drive setting for the LUT	A7h	LUT Lock	Page 68
66h	R/W	LUT Temp 1 Setting 5	Stores the threshold level for the External Diode 1 channel that is associated with the Drive 5 value	7Fh (127°C)	LUT Lock	Page 68

Table 7.1 EMC2113 Register Set (continued)

ADDR	R/W	REGISTER NAME	FUNCTION	DEFAULT VALUE	LOCK	PAGE
67h	R/W	LUT Temp 2 Setting 5	Stores the threshold level for the External Diode 2 channel that is associated with the Drive 5 value	7Fh (127°C)	LUT Lock	Page 68
68h	R/W	LUT Temp 3 Setting 5	Stores the threshold level for the External Diode 3 channel (or Pushed Temp 1 temp) that is associated with the Drive 5 value	7Fh (127°C)	LUT Lock	Page 68
69h	R/W	LUT Temp 4 Setting 5	Stores the threshold level for the Internal Diode channel (or Pushed Temp 2 temp) that is associated with the Drive 5 value	7Fh (127°C)	LUT Lock	Page 68
6Ah	R/W	LUT Drive 6	Stores the sixth programmed drive setting for the LUT	92h	LUT Lock	Page 68
6Bh	R/W	LUT Temp 1 Setting 6	Stores the threshold level for the External Diode 1 channel that is associated with the Drive 6 value	7Fh (127°C)	LUT Lock	Page 68
6Ch	R/W	LUT Temp 2 Setting 6	Stores the threshold level for the External Diode 2 channel that is associated with the Drive 6 value	7Fh (127°C)	LUT Lock	Page 68
6Dh	R/W	LUT Temp 3 Setting 6	Stores the threshold level for the External Diode 3 channel (or Pushed Temp 1 temp) that is associated with the Drive 6 value	7Fh (127°C)	LUT Lock	Page 68
6Eh	R/W	LUT Temp 4 Setting 6	Stores the threshold level for the Internal Diode channel (or Pushed Temp 2 temp) that is associated with the Drive 6 value	7Fh (127°C)	LUT Lock	Page 68
6Fh	R/W	LUT Drive 7	Stores the seventh programmed drive setting for the LUT	92h	LUT Lock	Page 68
70h	R/W	LUT Temp 1 Setting 7	Stores the threshold level for the External Diode 1 channel that is associated with the Drive 7 value	7Fh (127°C)	LUT Lock	Page 68
71h	R/W	LUT Temp 2 Setting 7	Stores the threshold level for the External Diode 2 channel that is associated with the Drive 7 value	7Fh (127°C)	LUT Lock	Page 68
72h	R/W	LUT Temp 3 Setting 7	Stores the threshold level for the External Diode 3 channel (or Pushed Temp 1 temp) that is associated with the Drive 7 value	7Fh (127°C)	LUT Lock	Page 68
73h	R/W	LUT Temp 4 Setting 7	Stores the threshold level for the Internal Diode channel (or Pushed Temp 2 temp) that is associated with the Drive 7 value	7Fh (127°C)	LUT Lock	Page 68
74h	R/W	LUT Drive 8	Stores the highest programmed drive setting for the LUT	92h	LUT Lock	Page 68
75h	R/W	LUT Temp 1 Setting 8	Stores the threshold level for the External Diode 1 channel that is associated with the Drive 8 value	7Fh (127°C)	LUT Lock	Page 68

## Datasheet

Table 7.1 EMC2113 Register Set (continued)

ADDR	R/W	REGISTER NAME	FUNCTION	DEFAULT VALUE	LOCK	PAGE
76h	R/W	LUT Temp 2 Setting 8	Stores the threshold level for the External Diode 2 channel that is associated with the Drive 8 value	7Fh (127°C)	LUT Lock	Page 68
77h	R/W	LUT Temp 3 Setting 8	Stores the threshold level for the External Diode 3 channel (or Pushed Temp 1 temp) that is associated with the Drive 8 value	7Fh (127°C)	LUT Lock	Page 68
78h	R/W	LUT Temp 4 Setting 8	Stores the threshold level for the Internal Diode channel (or Pushed Temp 2 temp) that is associated with the Drive 8 value	7Fh (127°C)	LUT Lock	Page 68
79h	R/W	LUT Temp 1 Hysteresis	Stores the hysteresis that is used in the LUT for the Temp 1 Settings	0Ah (10°C)	LUT Lock	Page 68
7Ah	R/W	LUT Temp 2 Hysteresis	Stores the hysteresis that is used in the LUT for the Temp 2 Settings	0Ah (10°C)	LUT Lock	Page 68
7Bh	R/W	LUT Temp 3 Hysteresis	Stores the hysteresis that is used in the LUT for the Temp 3 Settings	0Ah (10°C)	LUT Lock	Page 68
7Ch	R/W	LUT Temp 4 Hysteresis	Stores the hysteresis that is used in the LUT for the Temp 4 Settings	0Ah (10°C)	LUT Lock	Page 68
7Dh	R/W	LUT Configuration	Stores and controls the configuration for the LUT	00h	No	Page 67
Lock Register						
EFh	R/W	Software Lock	Locks all SWL registers	00h	SWL	Page 70
Revision Registers						
FCh	R	Product Features	Indicates which pin selected options are enabled	00h	No	Page 70
FDh	R	Product ID	Stores the unique Product ID	2Eh	No	Page 71
FEh	R	Manufacturer ID	Manufacturer ID	5Dh	No	Page 72
FFh	R	Revision	Revision	81h	No	Page 72

During Power-On-Reset (POR), the default values are stored in the registers. A POR is initiated when power is first applied to the part and the voltage on the VDD supply surpasses the POR level as specified in the electrical characteristics. Any reads to undefined registers will return 00h. Writes to undefined registers will not have an effect.

### 7.1.1 Lock Entries

The Lock Column describes the locking mechanism, if any, used for individual registers. All SWL registers are Software Locked and therefore made read-only when the LOCK bit is set.

## 7.2 Temperature Data Registers

Table 7.2 Temperature Data Registers

ADDR	R/W	REGISTER	B7	B6	B5	B4	B3	B2	B1	B0	DEFAULT
00h	R	Internal Diode High Byte	Sign	64	32	16	8	4	2	1	00h
01h	R	Internal Diode Low Byte	0.5	0.25	0.125	-	-	-	-	-	00h
02h	R	External Diode 1 High Byte	Sign	64	32	16	8	4	2	1	00h
03h	R	External Diode 1 Low Byte	0.5	0.25	0.125	-	-	-	-	-	00h
04h	R	External Diode 2 High Byte	Sign	64	32	16	8	4	2	1	00h
05h	R	External Diode 2 Low Byte	0.5	0.25	0.125	-	-	-	-	-	00h
06h	R	External Diode 3 High Byte	Sign	64	32	16	8	4	2	1	00h
07h	R	External Diode 3 Low Byte	0.5	0.25	0.125	-	-	-	-	-	00h

The temperature measurement range is from -64°C to +127.875°C. The data format is a signed two's complement number as shown in [Table 7.3, "Temperature Data Format"](#).

Table 7.3 Temperature Data Format

TEMPERATURE (°C)	BINARY	HEX (AS READ BY REGISTERS)
Diode Fault	1000_0000_000b	80_00h
-63.875	1100_0000_001b	C0_20h
-63	1100_0001_000b	C1_00h
-1	1111_1111_000b	FF_00h
-0.125	1111_1111_111b	FF_E0h
0	0000_0000_000b	00_00h
0.125	0000_0000_001b	00_20h
1	0000_0001_000b	01_00h
63	0011_1111_000b	3F_00h
64	0100_0000_000b	40_00h

## Datasheet

Table 7.3 Temperature Data Format (continued)

TEMPERATURE (°C)	BINARY	HEX (AS READ BY REGISTERS)
65	0100_0001_000b	41_00h
127	0111_1111_000b	7F_00h
127.875	0111_1111_111b	7F_E0h

## 7.3 Critical/Thermal Shutdown Temperature Register

Table 7.4 Critical/Thermal Shutdown Temperature Register

ADDR	R/W	REGISTER	B7	B6	B5	B4	B3	B2	B1	B0	DEFAULT
0Ah	R	Critical/Thermal Shutdown Temperature	128	64	32	16	8	4	2	1	7Fh (+127°C)

The Critical/Thermal Shutdown Temperature Register is a read-only register that stores the Voltage Programmable Threshold temperature used in the Thermal / Critical Shutdown circuitry. The contents of the register reflect the calculated temperature determined by the voltage on the TRIP\_SET pin (see [Section 6.1.2, "SHDN\\_SEL Pin"](#)).

The data format is shown in [Table 7.5, "Critical/Thermal Shutdown Data Format"](#).

Table 7.5 Critical/Thermal Shutdown Data Format

TEMPERATURE (°C)	BINARY	HEX
0	0000_0000b	00h
1	0000_0001b	01h
63	0011_1111b	3Fh
64	0100_0000b	40h
65	0100_0001b	41h
127	0111_1111b	7Fh

## 7.4 Pushed Temperature Registers

Table 7.6 Pushed Temperature Registers

ADDR	R/W	REGISTER	B7	B6	B5	B4	B3	B2	B1	B0	DEFAULT
0Ch	R/W	Pushed / Polled Temperature 1	Sign	64	32	16	8	4	2	1	00h
0Dh	R/W	Pushed / Polled Temperature 2	Sign	64	32	16	8	4	2	1	00h

The Pushed Temperature Registers store user programmed temperature values or temperature values polled from one or more slave devices. This temperature can be used by the look-up table to update the fan control algorithm.

Data written in these registers is not compared against any limits and must match the data format shown in [Table 7.3, "Temperature Data Format"](#).

## 7.5 PWM Input Duty Cycle Register

Table 7.7 PWM Duty Cycle Register

ADDR	R/W	REGISTER	B7	B6	B5	B4	B3	B2	B1	B0	DEFAULT
0Fh	R	PWM Input Duty Cycle	-	64	32	16	8	4	2	1	00h

The PWM Input Duty Cycle register stores the calculated duty cycle of the signal on the PWM\_IN pin. The value is stored as an 7-bit PWM setting ranging from 0 to 127 and represents the duty cycle as shown in [Equation \[1\]](#). When used by the Fan Control Look Up Table (LUT), the 7-bit PWM Input Duty Cycle register setting is used as a temperature input and compared against the programmed thresholds.

$$PWM \text{ Duty Cycle} = \left( \frac{VALUE}{128} \right) \times 100\% \quad [1]$$

## 7.6 TRIP\_SET Voltage Register

Table 7.8 TRIP\_SET Voltage Register

ADDR	R/W	REGISTER	B7	B6	B5	B4	B3	B2	B1	B0	DEFAULT
10h	R	TRIP_SET Voltage	750.0	375.0	187.5	93.75	46.88	23.43	11.72	5.86	FFh

The TRIP\_SET Voltage Register stores data that is measured on the TRIP\_SET Voltage input. Each bit weight represents mV of resolution so that the final voltage can be determined by adding the weighting of the set bits together.

## 7.7 Ideality Factor Registers

Table 7.9 Ideality Factor Registers

ADDR	R/W	REGISTER	B7	B6	B5	B4	B3	B2	B1	B0	DEFAULT
11h	R/W	External Diode 1 Ideality	0	0	0	1	0	B2	B1	B0	12h
12h	R/W	External Diode 2 Ideality	0	0	0	1	0	B2	B1	B0	12h
13h	R/W	External Diode 3 Ideality	0	0	0	1	0	B2	B1	B0	12h

**Datasheet**

These registers store the ideality factors that are applied to the external diodes.

Beta Compensation and Resistance Error Correction automatically correct for most diode ideality errors, therefore it is not recommended that these settings be updated without consulting Microchip.

For CPU substrate transistors that require the BJT transistor model, the ideality factor behaves slightly differently than for discrete diode-connected transistors. Refer to [Table 7.11, "Substrate Diode Ideality Factor Look-Up Table \(BJT Model\)"](#) when using a CPU substrate transistor.

Only the lower three bits can be written. Writing to any other bit will be ignored.

The Ideality Factor Registers are software locked.

**Table 7.10 Ideality Factor Look-Up Table**

SETTING	FACTOR
10h	1.0053
11h	1.0066
12h	1.0080
13h	1.0093
14h	1.0106
15h	1.0119
16h	1.0133
17h	1.0146

**Table 7.11 Substrate Diode Ideality Factor Look-Up Table (BJT Model)**

SETTING	FACTOR
10h	0.9973
11h	0.9986
12h	1.0000
13h	1.0013
14h	1.0026
15h	1.0039
16h	1.0053
17h	1.0066

**APPLICATION NOTE:** When measuring a 65nm Intel CPUs, the Ideality Setting should be the default 12h. When measuring 45nm Intel CPUs, the Ideality Setting should be 15h.

## 7.8 Beta Configuration Register

Table 7.12 Beta Configuration Register

ADDR	R/W	REGISTER	B7	B6	B5	B4	B3	B2	B1	B0	DEFAULT
14h	R/W	External Diode 1 Beta Configuration	-	-	-	AUT O1	-	BETA1[2:0]			10h
15h	R/W	External Diode 2 Beta Configuration	-	-	-	AUT O2	-	BETA2[2:0]			10h

The Beta Configuration Register controls advanced temperature measurement features of the External Diode channels.

If External Diode 1 is selected as the hardware shutdown measurement channel (see [Section 6.1, "Critical/Thermal Shutdown"](#)) then the External Diode 1 Beta register will be read only. If the internal diode is selected, then this register can be written normally. Likewise, if the External Diode 2 channel is selected then this register can be written normally. Finally, if External Diode 2 is selected as the hardware shutdown measurement channel, then the External Diode 2 Beta Configuration Register will be read only.

The External Diode 3 channel beta configuration will always be set at 07h (disabled / diode mode).

Writing to a read only register will have no affect. The data will be ignored.

Bit 4 - AUTOx - Enables the Automatic Beta detection algorithm for the External Diode X channel.

- '0' - The Automatic Beta detection algorithm is disabled. The BETAx[2:0] bit settings will be used to control the beta compensation circuitry.
- '1' (default) - The Automatic Beta detection algorithm is enabled. The circuitry will automatically detect the transistor type and beta values and configure the BETAx[2:0] bits for optimal performance.

Bits 2 - 0 - BETAx[2:0] - hold a value that corresponds to a range of betas that the Beta Compensation circuitry can compensate for. These three bits will always show the current beta setting used by the circuitry. If the AUTO bit is set (default), then these bits may be overwritten with every temperature conversion. If the AUTO bit is not set, then the value of these bits is used to drive the beta compensation circuitry. In this case, these bits should be set with a value corresponding to the lowest expected value of beta for the PNP transistor being used as a temperature sensing device.

See [Table 7.13, "Beta Compensation Look Up Table"](#) for supported beta ranges. A value of 111b indicates that the beta compensation circuitry is disabled. In this condition, the diode channels will function with default current levels and will not automatically adjust for beta variation. This mode is used when measuring a discrete 2N3904 transistor or AMD thermal diode.

The Beta Configuration Registers are Software Locked.

Table 7.13 Beta Compensation Look Up Table

BETAX[2:0]			MINIMUM BETA
2	1	0	
0	0	0	≤ 0.08
0	0	1	≤ 0.111



## Datasheet

Table 7.13 Beta Compensation Look Up Table (continued)

BETAX[2:0]			MINIMUM BETA
2	1	0	
0	1	0	$\leq 0.176$
0	1	1	$\leq 0.29$
1	0	0	$\leq 0.48$
1	0	1	$\leq 0.9$
1	1	0	$\leq 2.33$
1	1	1	Disabled

## 7.9 REC Configuration Register

Table 7.14 REC Configuration Register

ADDR	R/W	REGISTER	B7	B6	B5	B4	B3	B2	B1	B0	DEFAULT
17h	R/W	REC Configuration	-	-	-	-	-	REC3	REC2	REC1	07h

The REC Configuration Register determines whether Resistance Error Correction is used for each external diode channel.

Bit 2 - REC3 - Controls the Resistance Error Correction functionality of External Diode 3

- '0' - the REC functionality for External Diode 3 is disabled
- '1' (default) - the REC functionality for External Diode 3 is enabled.

Bit 1 - REC2 - Controls the Resistance Error Correction functionality of External Diode 2.

- '0' - the REC functionality for External Diode 2 is disabled
- '1' (default) - the REC functionality for External Diode 2 is enabled.

Bit 0 - REC1 - Indicates the Resistance Error Correction functionality of External Diode 1. If External Diode 1 is selected as the hardware shutdown channel then this bit is read only.

- '0' - the REC functionality for External Diode 1 is disabled
- '1' (default) - the REC functionality for External Diode 1 is enabled.

The REC Configuration Register is software locked.

## 7.10 Critical Temperature Limit Registers

Table 7.15 Limit Registers

ADDR	R/W	REGISTER	B7	B6	B5	B4	B3	B2	B1	B0	DEFAULT
19h	R/W once	External Diode 1 Tcrit Limit	Sign	64	32	16	8	4	2	1	64h (+100°C)
1Ah	R/W once	External Diode 2 Tcrit Limit	Sign	64	32	16	8	4	2	1	64h (+100°C)
1Bh	R/W once	External Diode 3 Tcrit Limit	Sign	64	32	16	8	4	2	1	64h (+100°C)
1Dh	R/W once	Internal Diode Tcrit Limit	Sign	64	32	16	8	4	2	1	64h (+100°C)

The Critical Temperature Limit Registers store the Critical Temperature Limit. At power up, none of the respective channels are linked to the SYS\_SHDN pin or the Hardware set Thermal/Critical Shutdown circuitry.

Whenever one of the registers is updated, two things occur. First, the register is locked so that it cannot be updated again without a power on reset. Second, the respective temperature channel is linked to the SYS\_SHDN pin and the Hardware set Thermal/Critical Shutdown Circuitry. At this point, if the measured temperature channel meets or exceeds the critical limit, the SYS\_SHDN pin will be asserted, the appropriate bit set in the Tcrit Status Register, and the TCRIT bit in the Interrupt Status Register will be set.

## 7.11 Configuration Register

Table 7.16 Configuration Register

ADDR	R/W	REGISTER	B7	B6	B5	B4	B3	B2	B1	B0	DEFAULT
20h	R/W	Configuration	MASK	WD_EN	-	-	SYS3	SYS2	SYS1	APD	00h

The Configuration Register controls the basic functionality of the EMC2113. The bits are described below.

Bit 7 - MASK - Blocks the  $\overline{\text{ALERT}}$  pin from being asserted.

- '0' (default) - The  $\overline{\text{ALERT}}$  pin is unmasked. If any bit in either status register is set, the  $\overline{\text{ALERT}}$  pin will be asserted (unless individually masked via the Mask Register)
- '1' - The  $\overline{\text{ALERT}}$  pin is masked and will not be asserted.

Bit 6 - WD\_EN - Enables the Watchdog timer to operate in Continuous Mode.

- '0' (default) - The Watchdog timer does not operate continuously. It will function upon power up and at no other time.
- '1' - The Watchdog timer operates continuously as described in [Section 6.10.2, "Continuous Operation"](#).

Bit 3 - SYS3 - Enables the high temperature limit for the External Diode 3 channel to trigger the Critical/Thermal Shutdown circuitry (see [Section 6.1, "Critical/Thermal Shutdown"](#)).

- '0' (default) - the External Diode 3 channel high limit will not be linked to the  $\overline{\text{SYS\_SHDN}}$  pin. If the temperature meets or exceeds the limit, the  $\overline{\text{ALERT}}$  pin will be asserted normally.

**Datasheet**

- '1' - the External Diode 3 channel high limit will be linked to the  $\overline{\text{SYS\_SHDN}}$  pin. If the temperature meets or exceeds the limit then the  $\overline{\text{SYS\_SHDN}}$  pin will be asserted. The  $\overline{\text{SYS\_SHDN}}$  pin will be released when the temperature drops below the high limit. The  $\overline{\text{ALERT}}$  pin will be asserted normally.

Bit 2 - SYS2 - Enables the high temperature limit for the External Diode 2 channel to trigger the Critical/Thermal Shutdown circuitry (see [Section 6.1](#)).

- '0' (default) - the External Diode 2 channel high limit will not be linked to the  $\overline{\text{SYS\_SHDN}}$  pin. If the temperature meets or exceeds the limit, the  $\overline{\text{ALERT}}$  pin will be asserted normally.
- '1' - the External Diode 2 channel high limit will be linked to the  $\overline{\text{SYS\_SHDN}}$  pin. If the temperature meets or exceeds the limit then the  $\overline{\text{SYS\_SHDN}}$  pin will be asserted. The  $\overline{\text{ALERT}}$  pin will be asserted normally.

Bit 1 - SYS1 - Enables the high temperature limit for the External Diode 1 channel to trigger the Critical/Thermal Shutdown circuitry (see [Section 6.1](#)).

- '0' (default) - The External Diode 1 channel high limit will not be linked to the  $\overline{\text{SYS\_SHDN}}$  pin. If the temperature meets or exceeds the limit, the  $\overline{\text{ALERT}}$  pin will be asserted normally.
- '1' - The External Diode 1 channel high limit will be linked to the  $\overline{\text{SYS\_SHDN}}$  pin. If the temperature meets or exceeds the limit then the  $\overline{\text{SYS\_SHDN}}$  pin will be asserted. The  $\overline{\text{ALERT}}$  pin will be asserted normally.

Bit 0 - APD - This bit enables the Anti-parallel diode functionality on the External Diode 3 pins (DP3 and DN3).

- '0' (default) - The Anti-parallel diode functionality is disabled. The External Diode 2 channel can be configured for any type of diode
- '1' - The Anti-parallel diode functionality is enabled. Both the External Diode 2 and 3 channels are configured to support a diode or diode connected transistor (such as a 2N3904).

**APPLICATION NOTE:** When the APD diode is enabled, there will be a delay of a full temperature update before any comparisons and functionality associated with the External Diode 3 channel will be implemented. This includes the SYS3 bit operation, limit comparisons, and look up table comparisons.

The Configuration Register is software locked.

## 7.12 Configuration 2 Register

**Table 7.17 Configuration 2 Register**

ADDR	R/W	REGISTER	B7	B6	B5	B4	B3	B2	B1	B0	DEFAULT
21h	R/W	Config 2	-	DIS_DYN	DIS_TO	DIS_AVG	QUEUE[1:0]		CONV[1:0]		0Eh

The Configuration 2 Register controls conversion rate of the temperature monitoring as well as the fault queue.

Bit 6 - DIS\_DYN - Disables the Dynamic Averaging Feature.

- '0' (default) - The Dynamic Averaging function is enabled. The conversion time for all temperature channels is scaled based on the chosen conversion rate to maximize accuracy and immunity to random temperature measurement variation.
- '1' - The Dynamic Averaging function is disabled. The conversion time for all temperature channels is fixed regardless of the chosen conversion rate.

Bit 5 - DIS\_TO - Disables the SMBus timeout function.

- '0' (default) - The SMBus timeout function is enabled.
- '1' - The SMBus timeout function is disabled allowing the device to be fully I<sup>2</sup>C compliant.

Bit 4 - DIS\_AVG - Disables digital averaging of the External Diode channels.

- '0' (default) - The External Diode channels have digital averaging enabled. The temperature data is the average of the previous four measurements.
- '1' - The External Diode channels have digital averaging disabled. The temperature data is the last measured data.

Bits 3-2 - QUEUE[1:0] - Determines the number of consecutive out of limit conditions that are necessary to trigger an interrupt. Each measurement channel has a separate fault queue associated with the high limit, low limit, and diode fault condition.

**APPLICATION NOTE:** If the fault queue for any channel is currently active (i.e. an out of limit condition has been detected and caused the fault queue to increment) then changing the settings will not take effect until the fault queue is zeroed. This occurs by the  $\overline{\text{ALERT}}$  pin asserting or the out of limit condition being removed.

**Table 7.18 Fault Queue**

QUEUE[1:0]		NUMBER OF CONSECUTIVE OUT OF LIMIT CONDITIONS
1	0	
0	0	1 (disabled)
0	1	2
1	0	3
1	1	4 (default)

Bit 1 - 0 - CONV[1:0] - determines the conversion rate of the temperature monitoring. This conversion rate does not affect the fan driver. The supply current from VDD\_3V is nominally dependent upon the conversion rate and the average current will increase as the conversion rate increases.

**Table 7.19 Conversion Rate**

CONV[1:0]		CONVERSION RATE
1	0	
0	0	1 / sec
0	1	2 / sec
1	0	4 / sec (default)
1	1	Continuous

The Configuration 2 Register is software locked.

## Datasheet

## 7.13 Interrupt Status Register

Table 7.20 Interrupt Status Register

ADDR	R/W	REGISTER	B7	B6	B5	B4	B3	B2	B1	B0	DEFAULT
23h	R	Interrupt Status Register	PWM	-	TCRIT	-	FAN	HIGH	LOW	FAULT	00h

The Interrupt Status Register reports the operating condition of the EMC2113. If any of the bits are set to a logic '1' (other than TCRIT) then the  $\overline{\text{ALERT}}$  pin will be asserted low if the corresponding channel is enabled. Reading from the status register clears the PWM bit. The other bits are cleared automatically when the corresponding register is read. If there are no set status bits, then the  $\overline{\text{ALERT}}$  pin will be released.

The bits that cause the  $\overline{\text{ALERT}}$  pin to be asserted can be masked based on the channel they are associated with unless stated otherwise.

Bit 7 - PWM - This bit indicates that the PWM input duty cycle (on the PWM pin) meets or exceeds the high limit. This bit is cleared when the register is read.

Bit 5 - TCRIT - This bit is set to '1' if any bit in the Tcrit Status Register is set. This bit is automatically cleared when the Tcrit Status Register is read and the bits are cleared.

Bit 3 - FAN - This bit is set to '1' if any bit in the Fan Status Register is set. This bit is automatically cleared when the Fan Status Register is read and the bits are cleared.

Bit 2 - HIGH - This bit is set to '1' if any bit in the High Status Register is set. This bit is automatically cleared when the High Status Register is read and the bits are cleared.

Bit 1 - LOW - This bit is set to '1' if any bit in the Low Status Register is set. This bit is automatically cleared when the Low Status Register is read and the bits are cleared.

Bit 0 - FAULT - This bit is set to '1' if any bit in the Diode Fault Register is set. This bit is automatically cleared when the Diode Fault Register is read and the bits are cleared.

## 7.14 Error Status Registers

Table 7.21 Error Status Register

ADDR	R/W	REGISTER	B7	B6	B5	B4	B3	B2	B1	B0	DEFAULT
1Fh	R-C	Tcrit Status	HWS	-	-	-	EXT3_TCRIT	EXT2_TCRIT	EXT1_TCRIT	INT_TCRIT	00h
24h	R-C	High Status	-	-	-	-	EXT3_HI	EXT2_HI	EXT1_HI	INT_HI	00h
25h	R-C	Low Status	-	-	-	-	EXT3_LO	EXT2_LO	EXT1_LO	INT_LO	00h
26h	R-C	Diode Fault	-	-	-	-	EXT3_FLT	EXT2_FLT	EXT1_FLT	-	00h

The Error Status Registers report the specific error condition for all measurement channels with limits. If any bit is set in the High, Low, or Diode Fault Status register, the corresponding High, Low, or Fault bit is set in the Interrupt Status Register.

Reading the Interrupt Status Register does not clear the Error Status bit. Reading from any Error Status Register that has bits set will clear the register and the corresponding bit in the Interrupt Status Register if the error condition has been removed. If the error condition is persistent, reading the Error Status Registers will have no effect.

### 7.14.1 Tcrit Status Register

The Tcrit Status Register stores which software enabled temperature channel has caused the  $\overline{\text{SYS\_SHDN}}$  pin to be asserted. Each of the temperature channels must be associated with the  $\overline{\text{SYS\_SHDN}}$  pin before they can be set (see Section 7.10, "Critical Temperature Limit Registers"). Once the  $\overline{\text{SYS\_SHDN}}$  pin is asserted, it will be released when the temperature drops below the threshold level; however, the individual status bit will not be cleared until read.

Bit 7 - HWS - This bit is set if the hardware set temperature channel caused the  $\overline{\text{SYS\_SHDN}}$  pin to be asserted.

## 7.15 Fan Status Register

Table 7.22 Fan Status Register

ADDR	R/W	REGISTER	B7	B6	B5	B4	B3	B2	B1	B0	DEFAULT
27h	R-C	Fan Status Register	WATCH	-	DRIVE_FAIL	-	-	-	FAN_SPIN	FAN_STALL	00h

The Fan Status Register contains the status bits associated with each fan driver.

Bit 7 - WATCH - This bit is asserted '1' if the Watchdog timer has expired (see Section 6.10, "Watchdog Timer").

Bit 5 - DRIVE\_FAIL - Indicates that the RPM-based Fan Speed Control Algorithm cannot drive the Fan to the desired target setting at maximum drive. This bit can be masked from asserting the  $\overline{\text{ALERT}}$  pin.

- '0' - The RPM-based Fan Speed Control Algorithm can drive Fan to the desired target setting.
- '1' - The RPM-based Fan Speed Control Algorithm cannot drive Fan to the desired target setting at maximum drive.

Bit 1- FAN\_SPIN - This bit is asserted '1' if the Spin up Routine for the Fan cannot detect a valid tachometer reading within its maximum time window. This bit can be masked from asserting the  $\overline{\text{ALERT}}$  pin.

Bit 0 - FAN\_STALL - This bit is asserted '1' if the tachometer measurement on the Fan detects a stalled fan. This bit can be masked from asserting the  $\overline{\text{ALERT}}$  pin.

## 7.16 Interrupt Enable Register

Table 7.23 Interrupt Enable Register

ADDR	R/W	REGISTER	B7	B6	B5	B4	B3	B2	B1	B0	DEFAULT
28h	R/W	Interrupt Enable	PWM_INT_EN	-	-	-	EXT3_INT_EN	EXT2_INT_EN	EXT1_INT_EN	INT_INT_EN	00h

The Interrupt Enable Register controls the masking for each temperature channel. When a channel is masked, it will not cause the  $\overline{\text{ALERT}}$  pin to be asserted when an error condition is detected.

**Datasheet**

Bit 7 - PWM\_INT\_EN - Allows the PWM input to assert the  $\overline{\text{ALERT}}$  pin.

- '0' (default) - The  $\overline{\text{ALERT}}$  pin will not be asserted if the PWM input duty cycle meets or exceeds its high limit.
- '1' - The  $\overline{\text{ALERT}}$  pin will be asserted if the PWM input duty cycle meets or exceeds its high limit.

Bit 3 - EXT3\_INT\_EN - Allows the External Diode 3 to assert the  $\overline{\text{ALERT}}$  pin.

- '0' (default) - The  $\overline{\text{ALERT}}$  pin will not be asserted for any error condition associated with External Diode 3 channel.
- '1' - The  $\overline{\text{ALERT}}$  pin will be asserted for an error condition associated with External Diode 3 channel.

Bit 2 - EXT2\_INT\_EN - Allows the External Diode 2 to assert the  $\overline{\text{ALERT}}$  pin.

- '0' (default) - The  $\overline{\text{ALERT}}$  pin will not be asserted for any error condition associated with External Diode 2 channel.
- '1' - The  $\overline{\text{ALERT}}$  pin will be asserted for an error condition associated with External Diode 2 channel.

Bit 1 - EXT1\_INT\_EN - Allows the External Diode 1 to assert the  $\overline{\text{ALERT}}$  pin.

- '0' (default) - The  $\overline{\text{ALERT}}$  pin will not be asserted for any error condition associated with External Diode 1 channel.
- '1' - The  $\overline{\text{ALERT}}$  pin will be asserted for an error condition associated with External Diode 1 channel.

Bit 0 - INT\_INT\_EN - Allows the Internal Diode to assert the  $\overline{\text{ALERT}}$  pin.

- '0' (default) - The  $\overline{\text{ALERT}}$  pin will not be asserted for any error condition associated with the Internal Diode.
- '1' - The  $\overline{\text{ALERT}}$  pin will be asserted for an error condition associated with the Internal Diode.

## 7.17 Fan Interrupt Enable Register

**Table 7.24 Fan Interrupt Enable Register**

ADDR	R/W	REGISTER	B7	B6	B5	B4	B3	B2	B1	B0	DEFAULT
29h	R/W	Fan Interrupt Enable	-	-	-	-	-	-	SPIN_INT_EN	STALL_INT_EN	00h

The Fan Interrupt Enable Register controls the masking for errors generated by the Fan Driver. When a channel is masked, it will not cause the  $\overline{\text{ALERT}}$  pin to be asserted when an error condition is detected.

Bit 1 - SPIN\_INT\_EN - Allows the FAN\_SPIN bit to assert the  $\overline{\text{ALERT}}$  pin.

- '0' (default) - the FAN\_SPIN bit will not assert the  $\overline{\text{ALERT}}$  pin though it will still update the Status Register normally.
- '1' - the FAN\_SPIN bit will assert the  $\overline{\text{ALERT}}$  pin.

Bit 0 - STALL\_INT\_EN - Allows the FAN\_STALL bit or DRIVE\_FAIL bit to assert the  $\overline{\text{ALERT}}$  pin.

- '0' (default) - the FAN\_STALL bit or DRIVE\_FAIL bit will not assert the  $\overline{\text{ALERT}}$  pin though will still update the Status Register normally.
- '1' - the FAN\_STALL bit will assert the  $\overline{\text{ALERT}}$  pin.

## 7.18 PWM Driver Configuration Register

Table 7.25 PWM Driver Configuration Register

ADDR	R/W	REGISTER	B7	B6	B5	B4	B3	B2	B1	B0	DEFAULT
2Ah	R/W	PWM Driver Config	-	-	-	PWM_OT	-	-	-	POLARITY	00h

The PWM Driver Configuration Register controls the output type and polarity of the PWM fan drive output.

Bit 4 - PWM\_OT - Determines the output type for the PWM pin.

- '0' (default) - The PWM pin is configured as an open drain output.
- '1' - The PWM pin is configured as a push-pull output.

Bit 0 - POLARITY - Determines the polarity of the PWM pin.

- '0' (default) - the Polarity of the PWM output driver is normal. A drive setting of 00h will cause the output to be set at 0% duty cycle and a drive setting of FFh will cause the output to be set at 100% duty cycle.
- '1' - The Polarity of the PWM output driver is inverted. A drive setting of 00h will cause the output to be set at 100% duty cycle and a drive setting of FFh will cause the output to be set at 0% duty cycle.

## 7.19 PWM Driver Base Frequency Register

Table 7.26 PWM Driver Base Frequency Register

ADDR	R/W	REGISTER	B7	B6	B5	B4	B3	B2	B1	B0	DEFAULT
2Bh	R/W	PWM Driver Base Frequency	-	-	-	-	-	-	PWM_BASE[1:0]		00h

The PWM Driver Base Frequency Register controls base frequency of the PWM driver output.

Bits 1-0 - PWM\_BASE[1:0] - Determines the base frequency of the PWM output driver.

Table 7.27 PWM\_BASEx[1:0] it Decode

PWM_BASE[1:0]		BASE FREQUENCY
1	0	
0	0	26.00kHz (default)
0	1	19.531kHz
1	0	4,882Hz
1	1	2,441Hz



## Datasheet

## 7.20 Limit Registers

Table 7.28 Limit Registers

ADDR	R/W	REGISTER	B7	B6	B5	B4	B3	B2	B1	B0	DEFAULT
30h	R/W	External Diode 1 High Limit	Sign	64	32	16	8	4	2	1	55h (+85°C)
31h	R/W	External Diode 2 High Limit	Sign	64	32	16	8	4	2	1	55h (+85°C)
32h	R/W	External Diode 3 High Limit	Sign	64	32	16	8	4	2	1	55h (+85°C)
34h	R/W	Internal Diode High Limit	Sign	64	32	16	8	4	2	1	55h (+85°C)
38h	R/W	External Diode 1 Low Limit	Sign	64	32	16	8	4	2	1	00h (0°C)
39h	R/W	External Diode 2 Low Limit	Sign	64	32	16	8	4	2	1	00h (0°C)
3Ah	R/W	External Diode 3 Low Limit	Sign	64	32	16	8	4	2	1	00h (0°C)
3Ch	R/W	Internal Diode Low Limit	Sign	64	32	16	8	4	2	1	00h (0°C)

The EMC2113 contains high limits for all temperature channels. If any measurement meets or exceeds the high limit then the appropriate status bit is set and the **ALERT** pin is asserted (if enabled).

Additionally, the EMC2113 contains low limits for all temperature channels. If the temperature channel drops below the low limit, then the appropriate status bit is set and the **ALERT** pin is asserted (if enabled).

All Limit Registers are Software Locked.

## 7.21 PWM Input Duty Cycle High Limit Register

Table 7.29 PWM Duty Cycle High Limit Register

ADDR	R/W	REGISTER	B7	B6	B5	B4	B3	B2	B1	B0	DEFAULT
3Dh	R/W	PWM Input Duty Cycle High Limit	-	64	32	16	8	4	2	1	7Fh

The PWM Duty Cycle High Limit register stores a high limit on the Duty Cycle input on the PWM pin. The data format for the register is the same as the PWM Input Duty Cycle register (see [Section 7.5, "PWM Input Duty Cycle Register"](#)) and it is compared at the sampling rate of the PWM Input duty cycle.

If the PWM Input Duty Cycle meets or exceeds this limit, then the PWM status bit is set (see [Section 7.13, "Interrupt Status Register"](#)) and the **ALERT** pin is asserted. This is treated as a temperature limit by the Fan Control circuitry.

## 7.22 Fan Setting Registers

Table 7.30 Fan Driver Setting Register

ADDR	R/W	REGISTER	B7	B6	B5	B4	B3	B2	B1	B0	DEFAULT
40h	R/W	Fan Setting	128	64	32	16	8	4	2	1	00h

The Fan Setting Register always displays the current setting of the Fan Driver. Reading from the register will report the current fan speed setting of the fan driver regardless of the operating mode. Therefore it is possible that reading from this register will not report data that was previously written into this register.

While the RPM-based Fan Speed Control Algorithm and/or the Look Up Table are active, then the register is read only. Writing to the register will have no effect and the data will not be stored.

If both the RPM-based Fan Control Algorithm and the Look Up Table are disabled, then the register will be set with the previous value that was used. The register is read / write and writing to this register will affect the fan speed.

The contents of the register represent the weighting of each bit in determining the final duty cycle. The output drive for a PWM output is given by [Equation \[2\]](#).

$$Drive = \left( \frac{VALUE}{255} \right) \times 100\% \quad [2]$$

## 7.23 PWM Divide Register

Table 7.31 PWM Divide Register

ADDR	R/W	REGISTER	B7	B6	B5	B4	B3	B2	B1	B0	DEFAULT
41h	R/W	PWM Divide	128	64	32	16	8	4	2	1	01h

The PWM Divide Register determines the final frequency of the PWM driver. The driver base frequency is divided by the value of the PWM Divide Register to determine the final frequency. The duty cycle settings are not affected by these settings, only the final frequency of the PWM driver. A value of 00h will be decoded as 01h.

The final PWM frequency is derived as the base frequency divided by the value of this register as shown in [Equation \[3\]](#).

$$f_{PWM} = \frac{PWM \text{ base frequency}}{PWM \text{ Divide Setting}} \quad [3]$$

## 7.24 Fan Configuration 1 Register

Table 7.32 Fan Configuration 1 Register

ADDR	R/W	REGISTER	B7	B6	B5	B4	B3	B2	B1	B0	DEFAULT
42h	R/W	Fan Configuration 1	EN_ALGO	RANGE[1:0]		EDGES[1:0]		UPDATE[2:0]			2Bh

**Datasheet**

The Fan Configuration 1 Register controls the general operation of the RPM-based Fan Speed Control Algorithm used on the PWM pin.

Bit 7 - EN\_ALGO - enables the RPM-based Fan Speed Control Algorithm. Based on the setting of the RPM / PWM bit, this bit is automatically set or cleared when the LUT\_LOCK bit is set (see [Section 7.34, "Look Up Table Configuration Register"](#)).

- '0' - (default) the control circuitry is disabled and the fan driver output is determined by the Fan Driver Setting Register.
- '1' - the control circuitry is enabled and the Fan Driver output will be automatically updated to maintain the programmed fan speed as indicated by the TACH Target Register.

Bits 6- 5 - RANGE[1:0] - Adjusts the range of reported and programmed tachometer reading values. The RANGE bits determine the weighting of all TACH values (including the Valid TACH Count, TACH Target, and TACH reading) as shown in [Table 7.33, "Range Decode"](#).

**Table 7.33 Range Decode**

RANGE[1:0]		REPORTED MINIMUM RPM	TACH COUNT MULTIPLIER
1	0		
0	0	500	1
0	1	1000 (default)	2
1	0	2000	4
1	1	4000	8

Bits 4-3 - EDGES[1:0] - determines the minimum number of edges that must be detected on the TACH signal to determine a single rotation. A typical fan measured 5 edges (for a 2-pole fan). For more accurate tachometer measurement, the minimum number of edges measured may be increased.

Increasing the number of edges measured with respect to the number of poles of the fan will cause the TACH Reading registers to indicate a fan speed that is higher or lower than the actual speed. In order for the FSC Algorithm to operate correctly, the TACH Target must be updated by the user to accommodate this shift. The Effective Tach Multiplier shown in [Table 7.34, "Minimum Edges for Fan Rotation"](#) is used as a direct multiplier term that is applied to the Actual RPM to achieve the Reported RPM. It should only be applied if the number of edges measured does not match the number of edges expected based on the number of poles of the fan (which is fixed for any given fan).

Contact Microchip for recommended settings when using fans with more or less than 2 poles.

**Table 7.34 Minimum Edges for Fan Rotation**

EDGES[1:0]		MINIMUM TACH EDGES	NUMBER OF FAN POLES	EFFECTIVE TACH MULTIPLIER (BASED ON 2 POLE FANS)
1	0			
0	0	3	1 pole	0.5
0	1	5	2 poles (default)	1
1	0	7	3 poles	1.5
1	1	9	4 poles	2

Bit 2-0 - UPDATE - determines the base time between fan driver updates. The Update Time, along with the Fan Step Register, is used to control the ramp rate of the drive response to provide a cleaner

transition of the actual fan operation as the desired fan speed changes. The Update Time is set as shown in [Table 7.35](#).

**Table 7.35 Update Time**

UPDATE[2:0]			UPDATE TIME
2	1	0	
0	0	0	100ms
0	0	1	200ms
0	1	0	300ms
0	1	1	400ms (default)
1	0	0	500ms
1	0	1	800ms
1	1	0	1200ms
1	1	1	1600ms

## 7.25 Fan Configuration 2 Register

**Table 7.36 Fan Configuration 2 Register**

ADDR	R/W	REGISTER	B7	B6	B5	B4	B3	B2	B1	B0	DEFAULT
43h	R/W	Fan Configuration 2	TEMP_ RR	EN_ RRC	GLITCH_ EN	DER_OPT [1:0]		ERR_RNG:0]		-	28h

The Fan Configuration 2 Register controls the tachometer measurement and advanced features of the RPM-based Fan Speed Control Algorithm.

Bit 7 - TEMP\_RR - Overrides max step controls for the FSC algorithm when any temperature exceeds its respective high limit.

- '0' (default) - All ramp rate control circuitry works at all times for the FSC algorithm or as determined by the EN\_RRC bit for manual mode.
- '1' - If any measured temperature or the PWM Input Duty cycle meets or exceeds its respective high limit, then the Fan Max Step register settings are not used and the FSC algorithm acts as if the Max Step settings were at 3Fh. The device will continue to operate in this way until all temperatures (and the PWM input duty cycle) have dropped below the respective high limit.

Bit 6 - EN\_RRC - Enables ramp rate control when the fan driver is operated in the Direct Setting mode or the Direct Setting with LUT mode.

- '0' (default) - Ramp rate control is disabled. When the fan driver is operating in Direct Setting mode or Direct Setting with LUT mode, the PWM setting will instantly transition to the next programmed setting.
- '1' - Ramp rate control is enabled. When the fan driver is operating in Direct Setting mode or Direct Setting with LUT mode, the PWM setting will follow the ramp rate controls as determined by the Fan Step and Update Time settings. The maximum PWM step is capped at the Fan Step setting and is updated based on the Update Time as given by [Table 7.35](#).

**Datasheet**

Bit 5 - GLITCH\_EN - Disables the low pass glitch filter that removes high frequency noise injected on the TACH pin.

- '0' - The glitch filter is disabled.
- '1' (default) - The glitch filter is enabled.

Bits 4 - 3 - DER\_OPT[1:0] - Control some of the advanced options that affect the derivative portion of the RPM-based Fan Speed Control Algorithm as shown in [Table 7.37, "Derivative Options"](#).

**Table 7.37 Derivative Options**

DER_OPT[1:0]		OPERATION
1	0	
0	0	No derivative terms used
0	1	Basic derivative. The derivative of the error from the current drive setting and the target is added to the iterative Fan Drive setting (in addition to proportional and integral terms - default)
1	0	Step derivative. The derivative of the error from the current drive setting and the target is added to the iterative Fan Drive setting and is not capped by the maximum Fan Step Register setting.
1	1	Both the basic derivative and the step derivative are used effectively causing the derivative term to have double the effect of the derivative term.

Bit 2 - 1 - ERR\_RNG[1:0] - Control some of the advanced options that affect the error window. When the measured fan speed is within the programmed error window around the target speed, then the fan drive setting is not updated. The algorithm will continue to monitor the fan speed and calculate necessary drive setting changes based on the error; however, these changes are ignored.

**Table 7.38 Error Range Options**

ERR_RNG[1:0]		OPERATION
1	0	
0	0	0 RPM (default)
0	1	50 RPM
1	0	100 RPM
1	1	200 RPM

The Fan Configuration 2 Register is Software Locked.

## 7.26 Gain Register

Table 7.39 Gain Register

ADDR	R/W	REGISTER	B7	B6	B5	B4	B3	B2	B1	B0	DEFAULT
45h	R/W	Gain Register	-	-	GAINI[1:0]		GAINI[1:0]		GAINP[1:0]		2Ah

The Gain Register stores the gain terms used by the proportional and integral portions of the RPM-based Fan Speed Control Algorithm. These terms will affect the FSC closed loop acquisition, overshoot, and settling as would be expected in a classic PID system.

Table 7.40 Gain Decode

GAINI OR GAINP OR GAINI [1:0]		RESPECTIVE GAIN FACTOR
1	0	
0	0	1x
0	1	2x
1	0	4x (default)
1	1	8x

## 7.27 Fan Spin Up Configuration Register

Table 7.41 Fan Spin Up Configuration Register

ADDR	R/W	REGISTER	B7	B6	B5	B4	B3	B2	B1	B0	DEFAULT
46h	R/W	Fan Spin Up Configuration	DRIVE_FAIL_CNT [1:0]		NOK ICK	SPIN_LVL[2:0]			SPINUP_TIME [1:0]		19h

The Fan Spin Up Configuration Register controls the settings of Spin Up Routine.

Bit 7 - 6 - DRIVE\_FAIL\_CNT[1:0] - Determines how many update cycles are used for the Drive Fail detection function as shown in [Table 7.42, "DRIVE\\_FAIL\\_CNT\[1:0\] Bit Decode"](#). This circuitry determines whether the fan can be driven to the desired tach target.

Table 7.42 DRIVE\_FAIL\_CNT[1:0] Bit Decode

DRIVE_FAIL_CNT[1:0]		NUMBER OF UPDATE PERIODS
1	0	
0	0	Disabled - the Drive Fail detection circuitry is disabled (default)
0	1	16 - the Drive Fail detection circuitry will count for 16 update periods

## Datasheet

Table 7.42 DRIVE\_FAIL\_CNT[1:0] Bit Decode (continued)

DRIVE_FAIL_CNT[1:0]		NUMBER OF UPDATE PERIODS
1	0	
1	0	32 - the Drive Fail detection circuitry will count for 32 update periods
1	1	64 - the Drive Fail detection circuitry will count for 64 update periods

Bit 5 - NOKICK - Determines if the Spin Up Routine will drive the fan to 100% duty cycle for 1/4 of the programmed spin up time before driving it at the programmed level.

- '0' (default) - The Spin Up Routine will drive the PWM to 100% for 1/4 of the programmed spin up time before reverting to the programmed spin level.
- '1' - The Spin Up Routine will not drive the PWM to 100%. It will set the drive at the programmed spin level for the entire duration of the programmed spin up time.

Bits 4 - 2 - SPIN\_LVL[2:0] - Determines the final drive level that is used by the Spin Up Routine as shown in [Table 7.43, "Spin Level"](#).

Table 7.43 Spin Level

SPIN_LVL[2:0]			SPIN UP DRIVE LEVEL
2	1	0	
0	0	0	30%
0	0	1	35%
0	1	0	40%
0	1	1	45%
1	0	0	50%
1	0	1	55%
1	1	0	60% (default)
1	1	1	65%

Bit 1 - 0 - SPINUP\_TIME[1:0] - determines the maximum Spin Time that the Spin Up Routine will run for (see [Section 6.8, "Spin Up Routine"](#)). If a valid tachometer measurement is not detected before the Spin Time has elapsed, then an interrupt will be generated. When the RPM-based Fan Speed Control Algorithm is active, the fan driver will attempt to re-start the fan immediately after the end of the last spin up attempt.

The Spin Time is set as shown in [Table 7.44](#).

Table 7.44 Spin Time

SPINUP_TIME[1:0]		TOTAL SPIN UP TIME
1	0	
0	0	250 ms
0	1	500 ms (default)
1	0	1 sec
1	1	2 sec

The Fan Spin Up Configuration Register is software locked.

## 7.28 Fan Step Register

Table 7.45 Fan Step Register

ADDR	R/W	REGISTER	B7	B6	B5	B4	B3	B2	B1	B0	DEFAULT
47h	R/W	Fan Max Step	-	-	32	16	8	4	2	1	10h

The Fan Step Register, along with the Update Time, control the ramp rate of the fan driver response. The value of the registers represents the maximum step size each fan driver will take between update times (see [Section 7.24, "Fan Configuration 1 Register"](#)).

All modes of operation have the options to use the Fan Step Register (and update times) for ramp rate control based on the Fan Configuration 2 Register settings. The Fan Speed Control Algorithm will always use the Fan Step Register settings (but see application note below).

The Fan Step Register is software locked.

## 7.29 Fan Minimum Drive Register

Table 7.46 Minimum Fan Drive Register

ADDR	R/W	REGISTER	B7	B6	B5	B4	B3	B2	B1	B0	DEFAULT
48h	R/W	Fan Minimum Drive	128	64	32	16	8	4	2	1	66h (40%)

The Fan Minimum Drive Register stores the minimum drive setting for the RPM-based Fan Speed Control Algorithm. This register is not used if the FSC is not active. The RPM-based Fan Speed Control Algorithm will not drive the fan at a level lower than the minimum drive unless the target TACH Target is set at FFh. (See [Section 7.32, "TACH Target Register"](#).)

During normal operation, if the fan stops for any reason (including low drive), the RPM-based Fan Speed Control Algorithm will attempt to restart the fan. Setting the Fan Minimum Drive Registers to a setting that will maintain fan operation is a useful way to avoid potential fan oscillations as the control circuitry attempts to drive it at a level that cannot support fan operation.

The Fan Minimum Drive Register is software locked.



## Datasheet

## 7.30 Valid TACH Count Register

Table 7.47 Valid TACH Count Register

ADDR	R/W	REGISTER	B7	B6	B5	B4	B3	B2	B1	B0	DEFAULT
49h	R/W	Valid TACH Count	4096	2048	1024	512	256	128	64	32	F5h

The Valid TACH Count Register store the maximum TACH Reading Register value to indicate that the the fan is spinning properly. The value is referenced at the end of the Spin Up Routine to determine if the fan has started operating and decide if the device needs to retry.

See [Equation \[5\]](#) for translating the count to an RPM.

If the TACH Reading Register value exceeds the Valid TACH Count Register (indicating that the Fan RPM is below the threshold set by this count), then a stalled fan is detected. In this condition, the algorithm will automatically begin its Spin Up Routine.

**APPLICATION NOTE:** The automatic invoking of the Spin Up Routine only applies if the Fan Speed Control Algorithm is used. If the FSC is disabled, then the device will only invoke the Spin Up Routine when the PWM setting changes from 00h.

If a TACH Target setting is set above the Valid TACH Count setting, then that setting will be ignored and the algorithm will use the current fan drive setting.

The Valid TACH Count Register is software locked.

## 7.31 Fan Drive Fail Band Registers

Table 7.48 Fan Drive Fail Band Registers

ADDR	R/W	REGISTER	B7	B6	B5	B4	B3	B2	B1	B0	DEFAULT
4Ah	R/W	Fan Drive Fail Band Low Byte	16	8	4	2	1	-	-	-	00h
4Bh	R/W	Fan Drive Fail Band High Byte	4096	2048	1024	512	256	128	64	32	00h

The Fan Drive Fail Band Registers store the number of tach counts used by the Fan Drive Fail detection circuitry. This circuitry is activated when the fan drive setting high byte is at FFh. When it is enabled, the actual measured fan speed is compared against the target fan speed.

This circuitry is used to indicate that the target fan speed at full drive is higher than the fan is actually capable of reaching. If the measured fan speed does not exceed the target fan speed minus the Fan Drive Fail Band Register settings for a period of time longer than set by the DRIVE\_FAIL\_CNTx[1:0] bits then the DRIVE\_FAIL status bit will be set and an interrupt generated.

## 7.32 TACH Target Register

Table 7.49 TACH Target Register

ADDR	R/W	REGISTER	B7	B6	B5	B4	B3	B2	B1	B0	DEFAULT
4Ch	R/W	Fan TACH Target Low Byte	16	8	4	2	1	-	-	-	F8h
4Dh	R/W	TACH Target	4096	2048	1024	512	256	128	64	32	FFh

The TACH Target Register holds the target tachometer value that is maintained by the RPM-based Fan Speed Control Algorithm.

The value in the TACH Target Register will always reflect the current TACH Target value. If the Look Up Table is active and configured to operate in RPM Mode, then this register will be read only. Writing to this register will have no affect and the data will not be stored.

If the algorithm is enabled then setting the TACH Target Register to FFh will disable the fan driver (set the PWM duty cycle to 0%). Setting the TACH Target to any other value (from a setting of FFh) will cause the algorithm to invoke the Spin Up Routine after which it will function normally.

## 7.33 TACH Reading Register

Table 7.50 TACH Reading Register

ADDR	R/W	REGISTER	B7	B6	B5	B4	B3	B2	B1	B0	DEFAULT
4Eh	R	Fan TACH	4096	2048	1024	512	256	128	64	32	FFh
4Fh	R	Fan TACH Low Byte	16	8	4	2	1	-	-	-	F8h

The TACH Reading Register contents describe the current tachometer reading for the fan. By default, the data represents the fan speed as the number of 32kHz clock periods that occur for a single revolution of the fan.

[Equation \[4\]](#) shows the detailed conversion from TACH measurement (COUNT) to RPM while [Equation \[5\]](#) shows the simplified translation of TACH Reading Register count to RPM assuming a 2-pole fan, measuring 5 edges, with a frequency of 32.768kHz.

These equations are solved and tabulated for ease of use in [AN17.4 RPM to TACH Counts Conversion](#).

## Datasheet

where:

$$RPM = \frac{1}{(\text{poles})} \times \frac{(n-1)}{COUNT \times \frac{1}{m}} \times 1,966,080 \quad [4]$$

poles = number of poles of the fan  
(typically 2)n = number of edges measured  
(typically 5)m = the multiplier defined by the  
RANGE bits

$$RPM = \frac{3,932,160 \times m}{COUNT} \quad [5]$$

COUNT = TACH Reading Register  
value (in decimal)

## 7.34 Look Up Table Configuration Register

Table 7.51 Look Up Table Configuration Register

ADDR	R/W	REGISTER	B7	B6	B5	B4	B3	B2	B1	B0	DEFAULT
50h	R/W	LUT Configuration	USE_	USE_	LUT	RPM /	PUSH1_	TEMP1_	TEMP3_	TEMP4_	00h
7Dh			DTS_P1	DTS_P2	LOCK	PWM	CFG	CFG	CFG	CFG	

The Look Up Table Configuration Register controls the setup information for the temperature to fan drive look up table.

**APPLICATION NOTE:** This register is duplicated at 50h as well as 7Dh for ease of programming using block write mode. Example: Set register 50h to unlock the table and register 7Dh to lock the table.

The External Diode 2 channel is always used as the Temperature 2 input to the Fan Control Look Up Table.

Bit 7 - USE\_DTS\_P1 - This bit determines whether the Pushed Temperature 1 Register is using DTS data.

- '0' (default) - The Pushed Temperature 1 Register is not using DTS data. The contents of the Pushed Temperature 1 registers are standard temperature data.
- '1' - The Pushed Temperature 1 Register is loaded with DTS data. The contents of this register are automatically subtracted from a fixed value of 100°C before being compared to the Look Up Table threshold levels.

Bit 6 - USE\_DTS\_P2 - This bit determines whether the Pushed Temperature 2 Register is using DTS data.

- '0' (default) - The Pushed Temperature 2 Register is not using DTS data. The contents of this register are standard 2's complement temperature data.
- '1' - The Pushed Temperature 2 Register is loaded with DTS data. The contents of this register are automatically subtracted from a fixed value of 100°C before being compared to the Look Up Table threshold levels.

Bit 5 - LUT\_LOCK - This bit locks updating the Look Up Table entries and determines whether the look up table is being used.

- '0' (default) - The Look Up Table entries can be updated normally. The Look Up Table will not be used while the Look Up Table entries are unlocked. During this condition, the PWM output will not change states regardless of temperature or tachometer variation.

- '1' - The Look Up Table entries are locked and cannot be updated. The Look Up Table is fully active and will be used based on the loaded values. The PWM output will be updated depending on the temperature and / or TACH variations.

**APPLICATION NOTE:** When the LUT\_LOCK bit is set at a logic '0', the PWM drive setting will be set at whatever value was last used by the RPM-based Fan Speed Control Algorithm or the Look Up Table.

Bit 4 - RPM / PWM - This bit selects the data format for the LUT drive settings.

- '0' (default) - The Look Up Table drive settings are RPM TACH count values for use by the RPM-based Fan Speed Control Algorithm. The Look Up Table drive settings should be loaded highest value to lowest value (to coincide with the inversion between TACH counts and actual RPM).
- '1' - The Look Up Table drive settings are PWM duty cycle values and are used directly. The drive settings should be loaded lowest value to highest value.

Bit 3 - PUSH1\_CFG - Determines whether the PWM Input duty cycle is used instead of the Pushed 1 Temperature data when the TEMP1\_CFG bit is set.

- '0' (default) - The Pushed Temperature 1 register can be written via the SMBus and will hold a temperature value. The PWM Input Duty cycle is not used.
- '1' - If the TEMP1\_CFG or TEMP3\_CFG bit is set, the PWM Input Duty cycle will be used. The Pushed Temperature 1 register can be written via the SMBus and will hold a temperature value but will not be used.

**APPLICATION NOTE:** If the Pushed Temperature 1 data is configured to hold the PWM input duty cycle and is used in the Look Up Table, then the Look Up Table threshold levels must be programmed in the same format as the PWM input duty cycle - see [Section 7.5](#) and [Section 7.35](#).

Bit 2 - TEMP1\_CFG - Determine the temperature channel that is used for the Temperature 1 inputs to the Look Up Table.

- '0' (default) - The External Diode 1 channel is used by the Fan Look Up Table.
- '1' - Either the data written into the Pushed Temperature 1 Register or the data in the PWM Input Duty Cycle register is used by the Fan Look Up table as determined by the PUSH1\_CFG bit.

Bit 1 - TEMP3\_CFG - Determine the temperature channel that is used for the Temperature 3 inputs to the Look Up Table.

- '0' (default) - The External Diode 3 channel is used by the Fan Look Up Table (if enabled).
- '1' - Either the data written into the Pushed Temperature 1 Register or the data in the PWM Input Duty Cycle register is used by the Fan Look Up table as determined by the PUSH1\_CFG bit.

Bit 0 - TEMP4\_CFG - Determine the temperature channel that is used for the Temperature 4 inputs to the Look Up Table.

- '0' (default) -The Internal diode channel is used by the Fan Look Up Table.
- '1' - The data written into the Pushed Temperature 2 Register is used by the Fan Look Up Table.

## 7.35 Look Up Table Registers

Table 7.52 Look Up Table Registers

ADDR	R/W	REGISTER	RPM / PWM	B7	B6	B5	B4	B3	B2	B1	B0	DEFAULT
51h	R/W	LUT Drive Setting 1	'0'	4096	2048	1024	512	256	128	64	32	FBh
			'1'	128	64	32	16	8	4	2	1	

## Datasheet

Table 7.52 Look Up Table Registers (continued)

ADDR	R/W	REGISTER	RPM / PWM	B7	B6	B5	B4	B3	B2	B1	B0	DEFAULT
52h	R/W	LUT Temp 1 Setting 1	X	-	64	32	16	8	4	2	1	7Fh (127°C)
53h	R/W	LUT Temp 2 Setting 1	X	-	64	32	16	8	4	2	1	7Fh (127°C)
54h	R/W	LUT Temp 3 Setting 1	X	-	64	32	16	8	4	2	1	7Fh (127°C)
55h	R/W	LUT Temp 4 Setting 1	X	-	64	32	16	8	4	2	1	7Fh (127°C)
...	...	...	...	...	...	...	...	...	...	...	...	...
74h	R/W	LUT Drive Setting 8	'0'	4096	2048	1024	512	256	128	64	32	92h
			'1'	128	64	32	16	8	4	2	1	
75h	R/W	LUT Temp 1 Setting 8	X	-	64	32	16	8	4	2	1	7Fh (127°C)
76h	R/W	LUT Temp 2 Setting 8	X	-	64	32	16	8	4	2	1	7Fh (127°C)
77h	R/W	LUT Temp 3 Setting 8	X	-	64	32	16	8	4	2	1	7Fh (127°C)
78h	R/W	LUT Temp 4 Setting 8	X	-	64	32	16	8	4	2	1	7Fh (127°C)
79h	R/W	LUT Temp 1 Hysteresis	X	-	-	-	16	8	4	2	1	0Ah (10°C)
7Ah	R/W	LUT Temp 2 Hysteresis	X	-	-	-	16	8	4	2	1	0Ah (10°C)
7Bh	R/W	LUT Temp 3 Hysteresis	X	-	-	-	16	8	4	2	1	0Ah (10°C)
7Ch	R/W	LUT Temp 4 Hysteresis	X	-	-	-	16	8	4	2	1	0Ah (10°C)

The Look Up Table Registers hold the 40 entries of the Look Up Table that control the drive of the PWM. As the temperature channels are updated, the measured value for each channel is compared against the respective entries in the Look Up Table and the associated drive setting is loaded into an internal shadow register and stored.

The bit weighting for temperature inputs represents °C and is compared against the measured data. Note that the LUT entry does not include a sign bit. The Look Up Table does not support negative temperature values and the MSBit should not be set for a temperature input.

**APPLICATION NOTE:** When the PWM Input Duty cycle values are used, then the bit weighting represents a unit-less threshold that does not correspond to specific temperature values. It is used to drive the fan speed based on external temperatures known to a separate microcontroller driving the PWM\_IN pin.

Each temperature channel threshold for a single “column” shares the same hysteresis value; however, each temperature input has a different hysteresis value. When the measured temperature for any of the channels meets or exceeds the programmed threshold, the drive setting associated with that threshold is used. The temperature must drop below the threshold minus the hysteresis value before the drive setting will be set to the previous value.

If the RPM-based Fan Speed Control Algorithm is used, the TACH Target is updated after every conversion. It is always set to the minimum TACH Target that is stored by the Look Up Table. The PWM duty cycle is updated based on the RPM-based Fan Speed Control Algorithm configuration settings.

If the RPM-based Fan Speed Control Algorithm is not used, then the output PWM duty cycle is updated after every conversion. It is set to the maximum duty cycle that is stored by the Look Up Table.

If the measured temperature reading on all channels is less than the lowest threshold setting minus the appropriate hysteresis setting, then the Fan driver will be set to 0% duty cycle and the fan will be disabled.

## 7.36 Software Lock Register

Table 7.53 Software Lock

ADDR	R/W	REGISTER	B7	B6	B5	B4	B3	B2	B1	B0	DEFAULT
EFh	R/W	Software Lock	-	-	-	-	-	-	-	LOCK	00h

The Software Lock Register controls the software locking of critical registers. This register is software locked.

Bit 0 - LOCK - this bit acts on all registers that are designated SWL. When this bit is set, the locked registers become read only and cannot be updated.

- '0' (default) - all SWL registers can be updated normally.
- '1' - all SWL registers cannot be updated and a hard-reset is required to unlock them.

## 7.37 Product Features Register

Table 7.54 Product Features Register

ADDR	R/W	REGISTER	B7	B6	B5	B4	B3	B2	B1	B0	DEFAULT
FCh	R	Product Features	-	-	ADDR_SEL[2:0]			SHDN_SEL[2:0]			00h

The Product Features Register indicates which pin selected functionality is enabled.

Bits 5-3 - ADDR\_SEL[2:0] - Indicates the address that is decoded by the ADDR\_SEL pin as shown in Table 7.55, "ADDR\_SEL[2:0] Encoding".

Table 7.55 ADDR\_SEL[2:0] Encoding

ADDR_SEL[2:0]			SMBUS ADDRESS
2	1	0	
0	0	0	0101_100(r/w)
0	0	1	0101_101(r/w)
0	1	0	0101_110(r/w)

## Datasheet

Table 7.55 ADDR\_SEL[2:0] Encoding (continued)

ADDR_SEL[2:0]			SMBUS ADDRESS
2	1	0	
0	1	1	1001_100(r/w)
1	0	0	1001_101(r/w)
1	0	1	1001_000(r/w)

Bits 2-0 - SHDN\_SEL[2:0] - Indicate the functionality enabled by the SHDN\_SEL pin as shown in Table 7.56, "SHDN\_SEL[2:0] Encoding".

Table 7.56 SHDN\_SEL[2:0] Encoding

SHDN_SEL[2:0]			DIODE MODE	OTHER FEATURES
2	1	0		
0	0	0	External Diode 1 Simple Mode - Beta compensation disabled, REC disabled - recommended for AMD CPU diodes	none
0	0	1	External Diode 1 Diode Mode - Beta compensation disabled, REC enabled	none
0	1	0	External Diode 1 Transistor Mode - Beta compensation enabled, REC enabled - - recommended for Intel 45nm and 65nm CPU diodes	none
0	1	1	Internal Diode Transistor Mode - Beta compensation enabled, REC enabled	none
1	0	0	External Diode 2 Transistor Mode - Beta compensation enabled, REC enabled	none
1	0	1	External Diode 1 Transistor Mode - Beta compensation enabled, REC enabled	none

## 7.38 Product ID Register

Table 7.57 Product ID Register

ADDR	R/W	REGISTER	B7	B6	B5	B4	B3	B2	B1	B0	DEFAULT
FDh	R	Product ID Register	0	0	1	0	0	1	0	0	2Eh

The Product ID Register contains a unique 8-bit word that identifies the product.

## 7.39 Manufacturer ID Register

Table 7.58 Manufacturer ID Register

ADDR	R/W	REGISTER	B7	B6	B5	B4	B3	B2	B1	B0	DEFAULT
FEh	R	Manufacturer ID	0	1	0	1	1	1	0	1	5Dh

The Manufacturer ID Register contains an 8-bit word that identifies Microchip.

## 7.40 Revision Register

Table 7.59 Revision Register

ADDR	R/W	REGISTER	B7	B6	B5	B4	B3	B2	B1	B0	DEFAULT
FFh	R	Revision	1	0	0	0	0	0	0	1	81h

The Revision Register contains an 8-bit word that identifies the die revision.

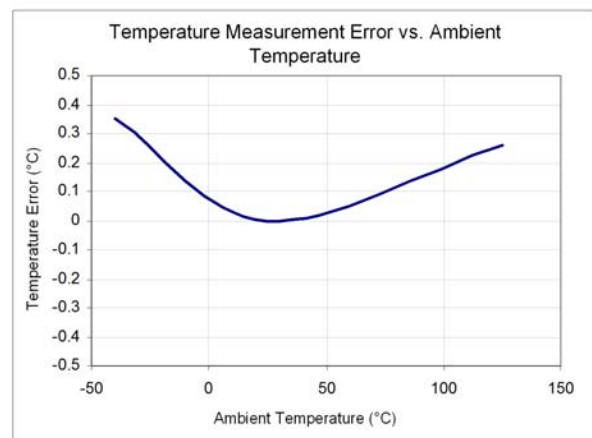
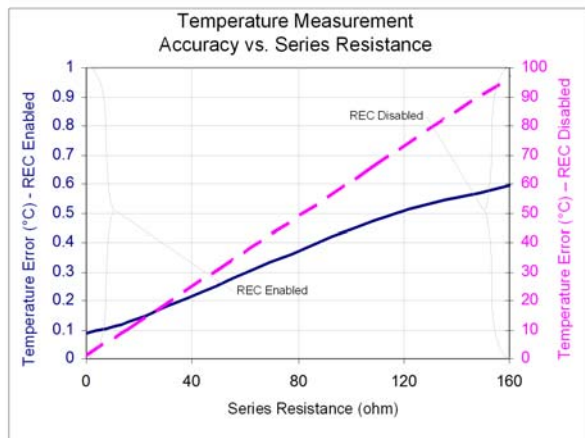
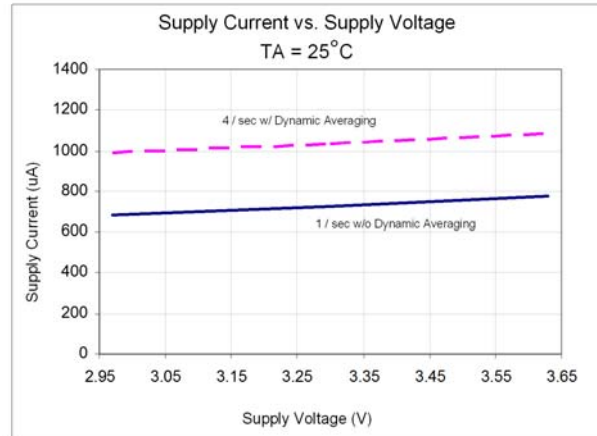
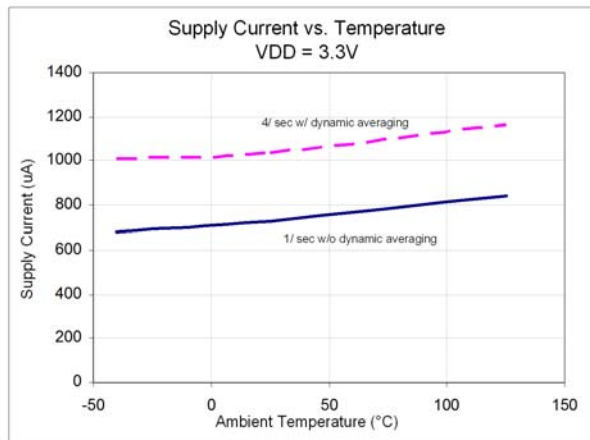


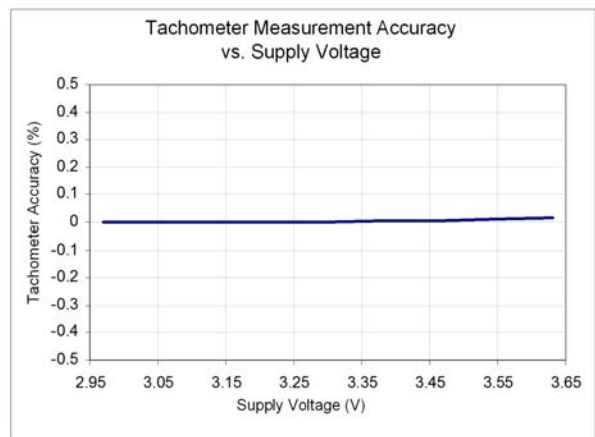
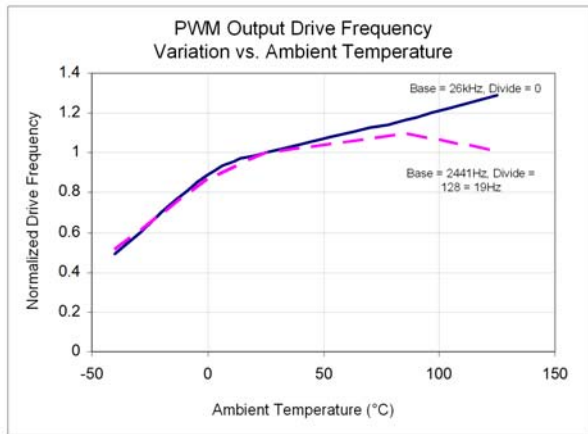
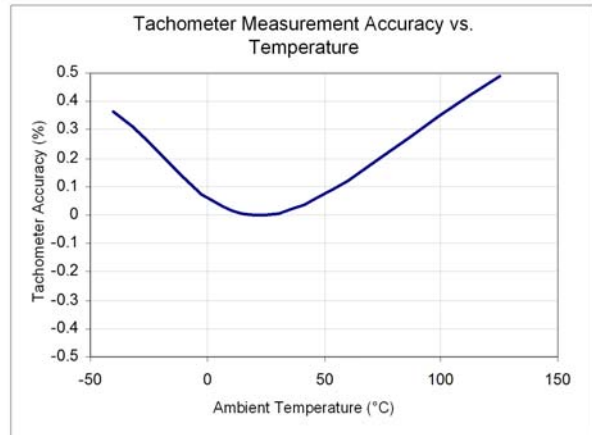
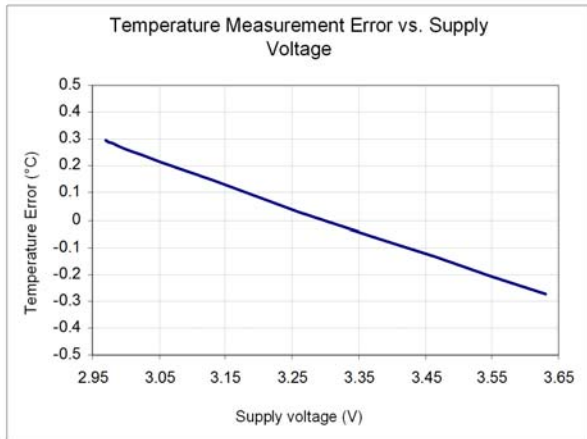
Datasheet

# Chapter 8 Typical Operating Curves

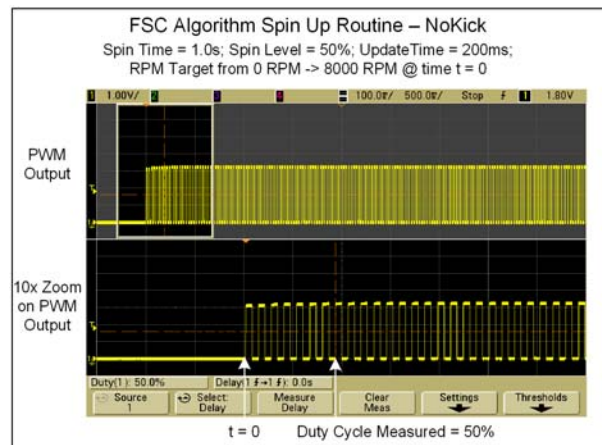
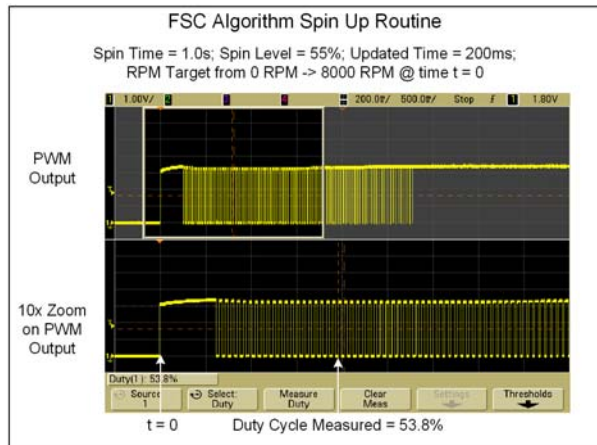
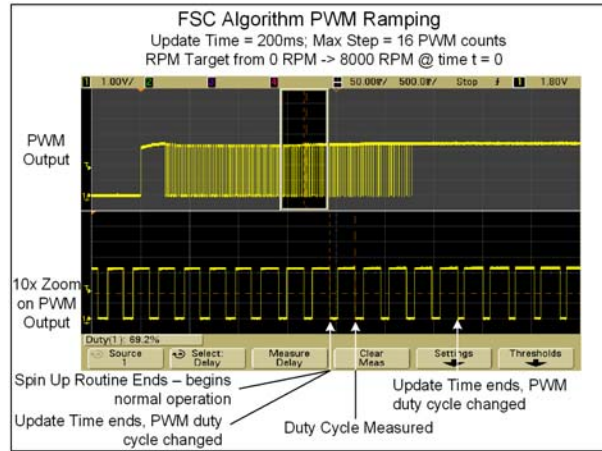
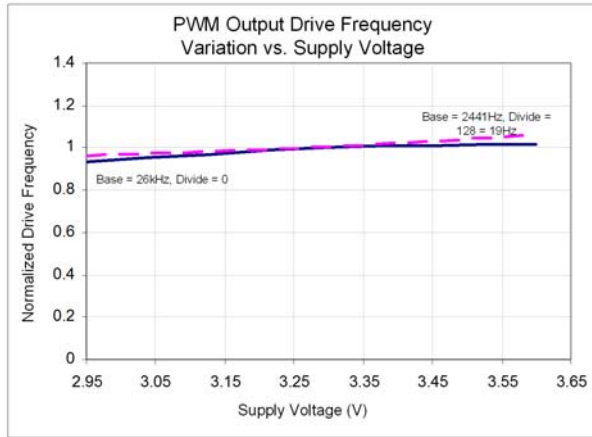
The following Typical Operating Curves are included:

- Supply Current vs. Temperature
- Supply Current vs. Supply Voltage
- Temperature Error vs. Series Resistance
- Temperature Error vs. Ambient Temperature
- Temperature Error vs. Supply Voltage
- Fan TACH Accuracy vs. Temperature
- Fan TACH Accuracy vs. Supply Voltage
- PWM Output Frequency vs. Supply Voltage
- PWM Output Frequency vs. Temperature
- FSC Operation
- Look Up Table operation - PWM / Direct Drive

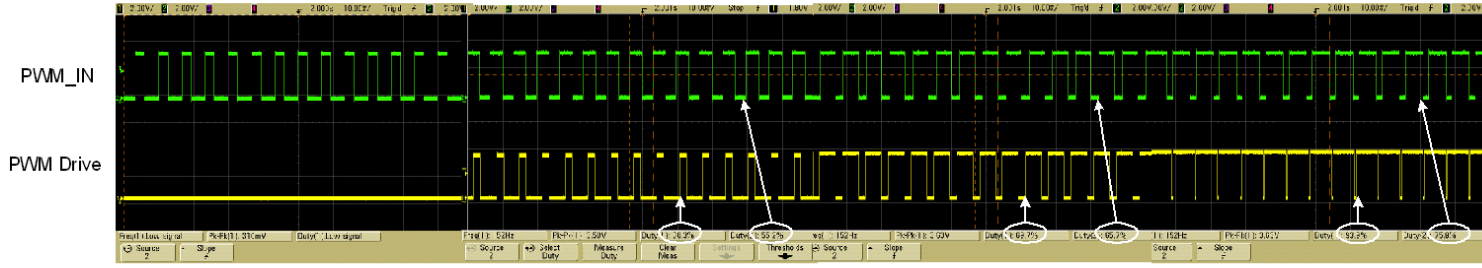




Datasheet



Look Up Table Operation



LUT Programmed:

PUSH\_CFG = '1', TEMP1\_CFG = '1';

Temp 1 Threshold 1 = 50%; Temp 2 – 4 Threshold 1 = FFh; Setting 1 = 0%

Temp 1 Threshold 2 = 55%; Temp 2 – 4 Threshold 2 = FFh; Setting 2 = 30%

Temp 1 Threshold 3 = 65%; Temp 3 – 4 Threshold 3 = FFh; Setting 3 = 70%

Temp 1 Threshold 4 = 75%; Temp 3 – 4 Threshold 4 = FFh; Setting 4 = 95%

Hysteresis = 5

## Datasheet

# Chapter 9 Package Drawing

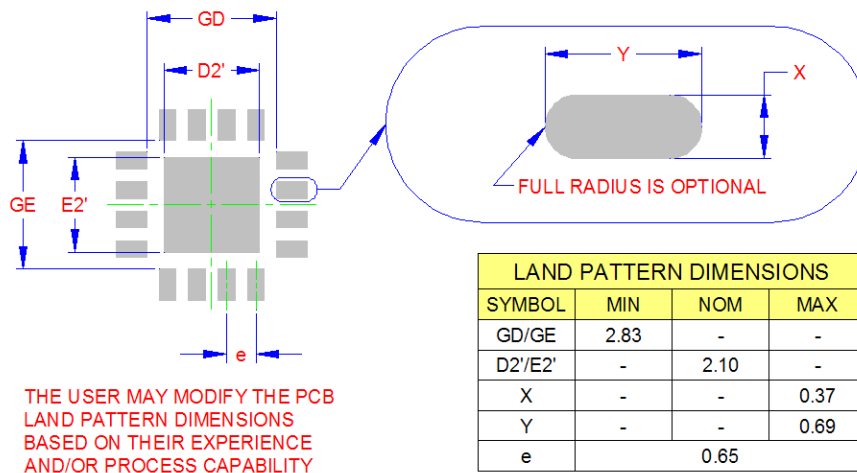
## 9.1 EMC2113 Package Information

COMMON DIMENSIONS					
SYMBOL	MIN	NOM	MAX	NOTE	REMARK
A	0.80	0.85	0.90	-	OVERALL PACKAGE HEIGHT
A1	0	0.02	0.05	-	STANDOFF
A3	0.20 REF			-	LEAD-FRAME THICKNESS
D/E	3.90	4.00	4.10	-	X/Y BODY SIZE
D2/E2	2.00	2.10	2.20	2	X/Y EXPOSED PAD SIZE
L	0.45	0.50	0.55	-	TERMINAL LENGTH
b	0.25	0.30	0.35	2	TERMINAL WIDTH
K	0.20	-	-	-	TERMINAL TO PAD DISTANCE
e	0.65 BSC			-	TERMINAL PITCH

**NOTES:**

- ALL DIMENSIONS ARE IN MILLIMETERS.
- POSITION TOLERANCE OF EACH TERMINAL AND EXPOSED PAD IS  $\pm 0.05\text{mm}$  AT MAXIMUM MATERIAL CONDITION. DIMENSIONS "b" APPLIES TO PLATED TERMINALS AND IT IS MEASURED BETWEEN 0.15 AND 0.30 mm FROM THE TERMINAL TIP.
- DETAILS OF TERMINAL #1 IDENTIFIER ARE OPTIONAL BUT MUST BE LOCATED WITHIN THE AREA INDICATED.

Figure 9.1 16-Pin QFN 4mm x 4mm Package Dimensions



### RECOMMENDED PCB LAND PATTERN

Figure 9.2 16-Pin QFN 4mm x 4mm PCB Footprint

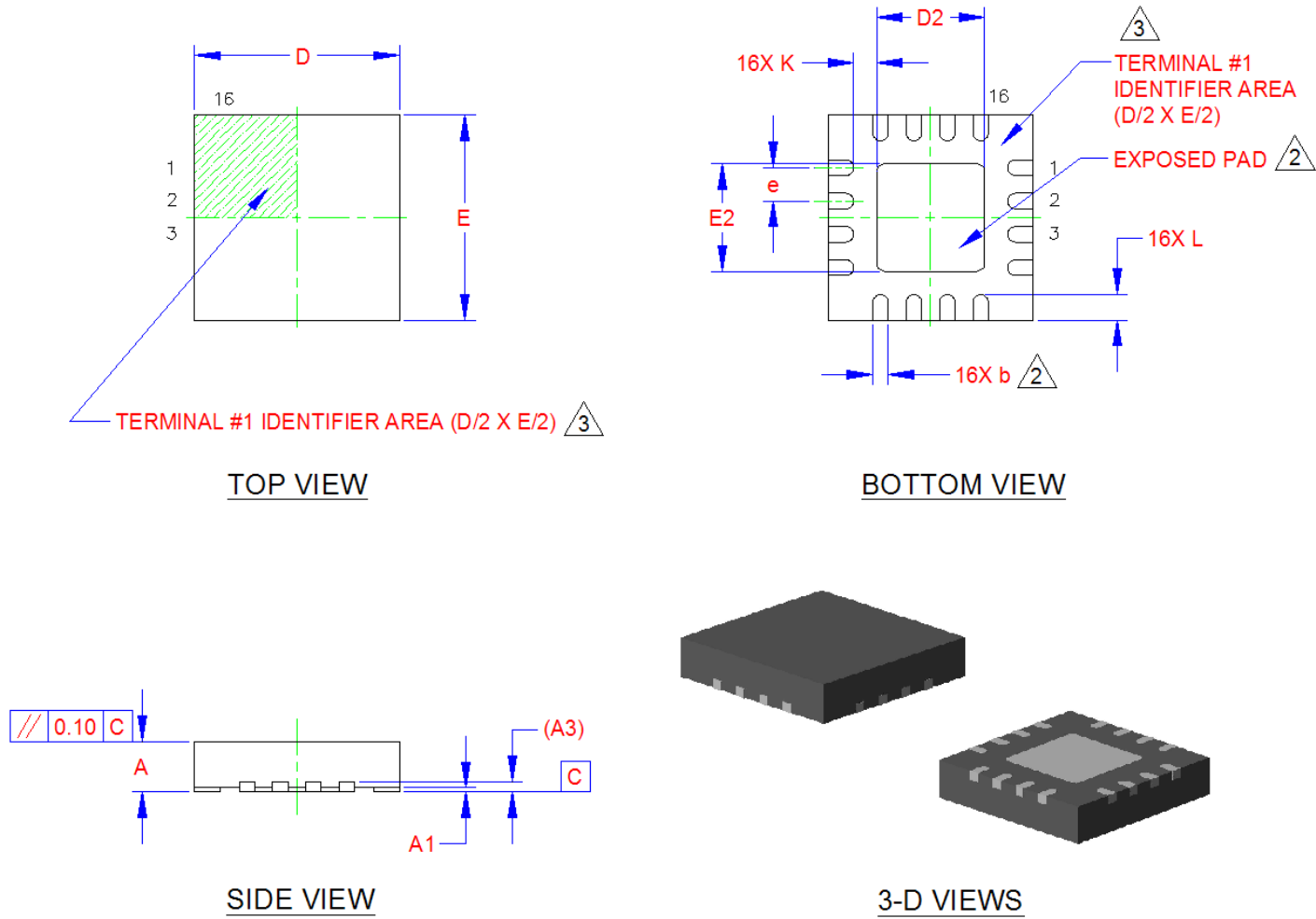
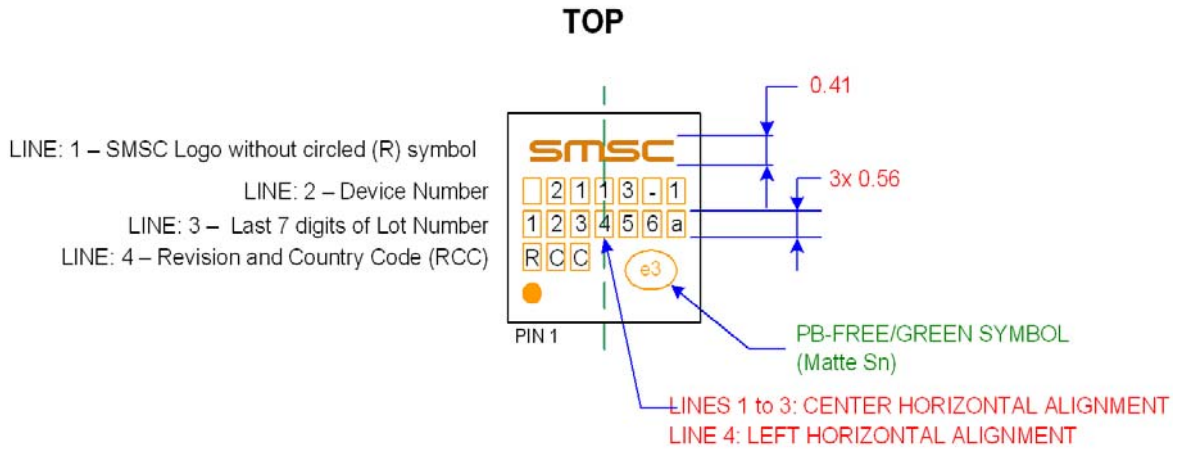


Figure 9.3 16-Pin QFN 4mm x 4mm Package Drawing

Datasheet

## 9.2 Package Markings



**BOTTOM**

**BOTTOM MARKING NOT ALLOWED**

**Figure 9.4 EMC2113 Package Markings**

## Appendix A Look Up Table Operation

The EMC2113 uses a look-up table to apply a user-programmable fan control profile based on measured temperature to the fan driver. In this look-up table, each temperature channel is allowed to control the fan drive output independently (or jointly) by programming up to eight pairs of temperature and drive setting entries.

The user programs the look-up table based on the desired operation. If the RPM-based Fan Speed Control Algorithm is to be used (see [Section 6.6](#)), then the user must program an RPM target for each temperature setting of interest. Alternately, if the RPM-based Fan Speed Control Algorithm is not to be used, then the user must program a drive setting for each temperature setting of interest.

If the measured temperature on the External Diode channel meets or exceeds any of the temperature thresholds for any of the channels, the fan output will be automatically set to the desired setting corresponding to the exceeded temperature. In cases where multiple temperature channel thresholds are exceeded, the highest fan drive setting will take precedence.

When the measured temperature drops to a point below a lower threshold minus the hysteresis value, the fan output will be set to the corresponding lower set point.

The following sections show examples of how the Look Up Table is used and configured. Each Look Up Table Example uses the Fan 1 Look Up Table Registers configured as shown in [Table A.1](#).

**Table A.1 Look Up Table Format**

STEP	TEMP 1	TEMP 2	TEMP 3	TEMP 4	LUT DRIVE
1	LUT Temp 1 Setting 1 (52h)	LUT Temp 2 Setting 1 (53h)	LUT Temp 3 Setting 1 (54h)	LUT Temp 4 Setting 1 (55h)	LUT Drive Setting 1 (51h)
2	LUT Temp 1 Setting 2 (57h)	LUT Temp 2 Setting 2 (58h)	LUT Temp 3 Setting 2 (59h)	LUT Temp 4 Setting 2 (5Ah)	LUT Drive Setting 2 (56h)
3	LUT Temp 1 Setting 3 (5Ch)	LUT Temp 2 Setting 3 (5Dh)	LUT Temp 3 Setting 3 (5Eh)	LUT Temp 4 Setting 3 (5Fh)	LUT Drive Setting 3 (5Bh)
4	LUT Temp 1 Setting 4 (61h)	LUT Temp 2 Setting 4 (62h)	LUT Temp 3 Setting 4 (63h)	LUT Temp 4 Setting 4 (64h)	LUT Drive Setting 4 (60h)
5	LUT Temp 1 Setting 5 (66h)	LUT Temp 2 Setting 5 (67h)	LUT Temp 3 Setting 5 (68h)	LUT Temp 4 Setting 5 (69h)	LUT Drive Setting 5 (65h)
6	LUT Temp 1 Setting 6 (6Bh)	LUT Temp 2 Setting 6 (6Ch)	LUT Temp 3 Setting 6 (6Dh)	LUT Temp 4 Setting 6 (6Eh)	LUT Drive Setting 6 (6Ah)
7	LUT Temp 1 Setting 7 (70h)	LUT Temp 2 Setting 7 (71h)	LUT Temp 3 Setting 7 (72h)	LUT Temp 4 Setting 7 (73h)	LUT Drive Setting 7 (6Fh)
8	LUT Temp 1 Setting 8 (75h)	LUT Temp 2 Setting 8 (76h)	LUT Temp 3 Setting 8 (77h)	LUT Temp 4 Setting 8 (78h)	LUT Drive Setting 8 (74h)

### A.1 Example #1

This example does not use the RPM-based Fan Speed Control Algorithm. Instead, the Look Up Table is configured to directly set a PWM setting based on the temperature of four of its measured inputs. The configuration is set as shown in [Table A.2, "Look Up Table Example #1 Configuration"](#).

Once configured, the Look Up Table is loaded as shown in [Section Table A.3, "Fan Speed Control Table Example #1"](#). [Table A.4](#) shows three temperature configurations using the settings in [Table A.3](#) and the final PWM output drive setting that the Look Up Table will select.



## Datasheet

Table A.2 Look Up Table Example #1 Configuration

ADDR	REGISTER	B7	B6	B5	B4	B3	B2	B1	B0	SETTING
50h	LUT Configuration	USE_DTS_F1	USE_DTS_F2	LUT_LOCK	RPM / PWM	PUSH1_CFG	TEMP1_CFG	TEMP3_CFG	TEMP4_CFG	C0h
		0	0	1	1	0	0	0	0	

### A.1.1 LUT Configuration Bit Description

Bit 7 - USE\_DTS\_F1 = '0b' tells the circuitry that the Forced Temperature 1 register data is not in DTS format.

Bit 6 - USE\_DTS\_F2 = '0b' tells the circuitry that the Forced Temperature 2 register data is not in DTS format.

Bit 5 - LUT\_LOCK = '1b' tells the circuitry that the LUT is programmed and is active. This bit must be set for the LUT to function.

Bit 4 - RPM / PWM = '1b' tells the Look Up Table that the FSC algorithm is not used and that the LUT target values will be PWM drive settings instead of TACH Target settings.

Bit 3 - PUSH1\_CFG = '0b' tells the circuitry that the LUT should referenced the Forced Temperature data instead of the PWM Input Duty Cycle data. This is the default setting.

Bit 2 - TEMP1\_CFG = '0b' tells the LUT to reference the External Diode 1 data instead of Forced Temperature 1 data. This is the default setting.

Bit 1 - TEMP3\_CFG = '0b' tells the LUT to reference the External Diode 3 data instead of Forced Temperature 1 data. This is the default setting.

Bit 0 - TEMP4\_CFG = '0b' tells the LUT to reference the Internal Diode data instead of Forced Temperature 2 data. This is the default setting.

Table A.3 Fan Speed Control Table Example #1

FAN SPEED STEP #	EXTERNAL DIODE 1 TEMPERATURE (CPU)	EXTERNAL DIODE 2 TEMPERATURE (GPU)	EXTERNAL DIODE 3 TEMPERATURE (SKIN)	INTERNAL DIODE TEMPERATURE (AMBIENT)	PWM SETTINGS
1	35°C	60°C	30°C	40°C	0%
2	40°C	70°C	35°C	45°C	30%
3	50°C	75°C	40°C	50°C	40%
4	60°C	80°C	45°C	55°C	50%
5	70°C	85°C	50°C	60°C	60%
6	80°C	90°C	55°C	65°C	70%
7	90°C	95°C	60°C	70°C	80%
8	100°C	100°C	65°C	75°C	100%

**Note:** The values shown in [Table A.3](#) are example settings. All the cells in the look-up table are programmable via SMBus.

Table A.4 Fan Speed Determination for Example #1 (using settings in Table A.3)

	EXTERNAL DIODE 1 TEMPERATURE (CPU)	EXTERNAL DIODE 2 TEMPERATURE (GPU)	EXTERNAL DIODE 3 TEMPERATURE (SKIN)	INTERNAL DIODE TEMPERATURE (AMBIENT)	PWM RESULT
Example 1:	82°C	82°C	48°C	58°C	70% (CPU temp requires highest drive)
Example 2:	82°C	97°C	62°C	58°C	80% (GPU and Skin require highest drive)
Example 3:	82°C	97°C	62°C	75°C	100% (Internal temp requires highest drive)

## A.2 Example #2

This example uses the RPM-based Fan Speed Control Algorithm. The Spin Level (used by the Spin Up Routine) should be changed to 40% drive for a total Spin Time of 1 second. For all other RPM configuration settings, the default conditions are used.

For control inputs, it uses the External Diode 1 channel normally, the External Diode 2 channel normally, and both Pushed Temperature registers in DTS format. The configuration is set as shown in Table A.5, "Look Up Table Example #2 Configuration" while Table A.6, "Fan Speed Control Table Example #2" shows how the table is loaded.

Note that when using DTS data, the USE\_DTS\_F1 and / or USE\_DTS\_F2 bits should be set. The Pushed Temperature Registers are loaded with the normal DTS values as received by the processor. When the DTS value is used by the Look Up Table, the value that is stored in the Pushed Temperature Register is subtracted from a fixed temperature of 100°C. This resultant value is then compared against the Look Up Table thresholds normally. When programming the Look Up Table, it is necessary to take this translation into account or else incorrect settings may be selected.

Table A.5 Look Up Table Example #2 Configuration

ADDR	REGISTER	B7	B6	B5	B4	B3	B2	B1	B0	SETTING
46h	Fan Spin Up Configuration	DRIVE_FAIL_CNT [1:0]		NOKICK	SPIN_LVL[2:0]			SPINUP_TIME [1:0]		0Ah
		0	0	0	0	1	0	1	0	
50h	LUT Configuration	USE_DTS_F1	USE_DTS_F2	LUT_LOCK	RPM / PWM	PUSH1_CFG	TEMP1_CFG	TEMP3_CFG	TEMP4_CFG	E5h
		1	1	1	0	0	0	1	1	

### A.2.1 Fan Spin Up Configuration Bit Description

Bits 7-6 - DRIVE\_FAIL\_CNT[1:0] = '00b' tells the circuitry that the drive fail detection circuitry is not enabled. This is the default setting.

Bit 5 - NOKICK = '0b' tells the circuitry that if than Spin Up Routine is invoked, it will drive to 100% duty cycle for 25% of the spin up time. This is the default setting.

Bits 4-2 - SPIN\_LVL[2:0] = '010b' tells the circuitry that if the Spin Up Routine is invoked, it should run at 40% drive.

**Datasheet**

Bits 1-0 - SPINUP\_TIME[1:0] = '10b' tells the circuitry that if the Spin Up Routine is invoked, it will run at 100% duty cycle for 250ms and at 40% duty cycle for 750ms for a total spin up time of 1s.

**A.2.2 LUT Configuration - Bit Description**

7 - USE\_DTS\_F1 = '1b' tells the circuitry that the data in the Pushed Temperature 1 register is in DTS format which means that the value in the register is equal to 100C - CPU Temp.

Bit 6 - USE\_DTS\_F2 = '1b' tells the circuitry that the data in the Pushed Temperature 1 register is in DTS format which means that the value in the register is equal to 100°C - CPU temp.

Bit 5 - LUT\_LOCK = '1b' tells the circuitry that the LUT is programmed and is active. This bit must be set for the LUT to function.

Bit 4 - RPM\_PWM = '0b' tells the LUT circuitry that the FSC algorithm is active and that the LUT values are TACH Target settings. This is the default setting.

Bit 3 - PUSH1\_CFG = '0b' tells the circuitry that the LUT should referenced the Forced Temperature data instead of the PWM Input Duty Cycle data. This is the default setting.

Bit 2 - TEMP1\_CFG = '0b' tells the LUT to reference the External Diode 1 data instead of Forced Temperature 1 data.

Bit 1 - TEMP3\_CFG = '1b' tells the Look Up Table to reference the Forced Temperature 1 data instead of the External Diode 3 data.

Bit 0- TEMP4\_CFG = '1b' tells the Look Up Table to reference the Forced Temperature 2 data instead of the Internal Diode data.

**Table A.6 Fan Speed Control Table Example #2**

FAN SPEED STEP #	EXTERNAL DIODE 1 TEMPERATURE (CPU)	EXTERNAL DIODE 2 TEMPERATURE (GPU)	PUSHED TEMPERATURE SETTING (DTS1)	PUSHED TEMPERATURE SETTING (DTS2)	TACH TARGET HIGH BYTE
1	35°C	65°C	50°C	40°C	EFh (1028 RPM)
2	40°C	75°C	55°C	45°C	A3h (1508 RPM)
3	50°C	85°C	60°C	50°C	7Ah (2014 RPM)
4	60°C	90°C	65°C	55°C	62h (2508 RPM)
5	70°C	95°C	70°C	60°C	52h (2997 RPM)
6	80°C	100°C	75°C	65°C	3Dh (4029 RPM)
7	90°C	105°C	80°C	80°C	31h (5016 RPM)
8	100°C	110°C	85°C	100°C	29h (5994 RPM)

**Note:** The values shown in [Table A.6](#) are example settings. All the cells in the look-up table are programmable via SMBus.

Table A.7 Fan Speed Determination for Example #2 (using settings in Table A.6)

	EXTERNAL DIODE 1 TEMPERATURE (CPU)	EXTERNAL DIODE 2 TEMPERATURE (GPU)	PUSHED TEMPERATURE (DTS1)	PUSHED TEMPERATURE (DTS2)	PWM RESULT
Example 1:	75°C	75°C	35°C (translated as 65°C)	50°C (translated as 50°C)	52h (2997 RPM) - CPU requires highest target
Example 2:	75°C	90°C	15°C (translated as 85°C)	20°C (translated as 80°C)	29h (5994 RPM) - DTS1 requires highest target
Example 3:	75°C	97.25°C	30°C (translated as 70°C)	5°C (translated as 95°C)	31h (5016 RPM) - DTS2 requires highest target

### A.3 Example #3

This example uses the RPM-based Fan Speed Control Algorithm with default settings.

For control inputs, it uses the External Diode 1 channel normally, the External Diode 2 channel normally, the PWM input instead of External Diode 3, and the Internal Diode. The configuration is set as shown in Table A.8 while Table A.9 shows how the table is loaded.

Table A.8 Look Up Table Example #3 Configuration

ADDR	REGISTER	B7	B6	B5	B4	B3	B2	B1	B0	SETTING
90h	LUT Configuration	USE_DTS_F1	USE_DTS_F2	LUT_LOCK	RPM / PWM	PUSH1_CFG	TEMP1_CFG	TEMP3_CFG	TEMP4_CFG	2Ah
		0	0	1	0	1	0	1	0	

#### A.3.1 LUT Configuration Bit Description

Bit 7 - USE\_DTS\_F1 = '0b' tells the circuitry that the Forced Temperature 1 register data is not in DTS format.

Bit 6 - USE\_DTS\_F2 = '0b' tells the circuitry that the Forced Temperature 2 register data is not in DTS format.

Bit 5 - LUT\_LOCK = '1b' tells the circuitry that the LUT is programmed and is active. This bit must be set for the LUT to function.

Bit 4 - RPM\_PWM = '0b' tells the LUT circuitry that the FSC algorithm is active and that the LUT values are TACH Target settings. This is the default setting.

Bit 3 - PUSH1\_CFG = '1b' tells the Look Up Table to reference the PWM Input Duty Cycle instead of the Pushed Temperature 1 register.

Bit 2 - TEMP1\_CFG = '0b' tells the LUT to reference the External Diode 1 data instead of Forced Temperature 1 data. This is the default setting.

## Datasheet

Bit 1 - TEMP3\_CFG = '1b' tells the Look Up Table to reference Pushed Temperature 1 instead of External Diode 3, except that PUSH1\_CFG re-directs the logic to reference the PWM Input Duty Cycle register instead.

Bit 0 - TEMP4\_CFG = '0b' tells the LUT to reference the Internal Diode data instead of Forced Temperature 2 data. This is the default setting.

Table A.9 Fan Speed Control Table Example #3

FAN SPEED STEP #	EXTERNAL DIODE 1 TEMPERATURE (CPU)	EXTERNAL DIODE 2 TEMPERATURE (GPU)	PWM DUTY CYCLE	INTERNAL DIODE	TACH TARGET
1	35°C	65°C	20% Duty Cycle (1Ah)	40°C	EFh (1028 RPM)
2	40°C	75°C	30% Duty Cycle (26h)	45°C	A3h (1508 RPM)
3	50°C	85°C	40% Duty Cycle (33h)	50°C	7Ah (2014 RPM)
4	60°C	90°C	50% Duty Cycle (40h)	55°C	62h (2508 RPM)
5	70°C	95°C	60% Duty Cycle (4Dh)	60°C	52h (2997 RPM)
6	80°C	100°C	70% Duty Cycle (5Ah)	65°C	3Dh (4029 RPM)
7	90°C	105°C	80% Duty Cycle (66h)	80°C	31h (5016 RPM)
8	100°C	110°C	90% Duty Cycle (73h)	100°C	29h (5994 RPM)

**Note:** The values shown in Table A.9 are example settings. All the cells in the look-up table are programmable via SMBus.

Table A.10 Fan Speed Determination for Example #2 (using settings in Table A.9)

	EXTERNAL DIODE 1 TEMPERATURE (CPU)	EXTERNAL DIODE 2 TEMPERATURE (GPU)	PWM INPUT DUTY CYCLE	INTERNAL DIODE	PWM RESULT
Example 1:	75°C	75°C	45% Duty Cycle	50°C	52h (2997 RPM) - CPU requires highest target
Example 2:	75°C	90°C	85% Duty Cycle	70°C	31h (5016 RPM) - PWM requires highest target
Example 3:	75°C	97.25°C	75% Duty Cycle	95°C	31h (5016 RPM) - DTS2 requires highest target

## Datasheet Revision History

### Revision History

REVISION LEVEL & DATE	SECTION/FIGURE/ENTRY	CORRECTION
REV A	Replaces the previous SMSC version Rev. 1.2	
Rev. 1.2 (10-08-09)	<a href="#">Chapter 8, Typical Operating Curves</a>	Added chapter.
Rev. 1.1 (07-21-09)	<a href="#">Section 6.1.1, "SYS_SHDN Pin"</a>	Added section to describe $\overline{\text{SYS\_SHDN}}$ pin operation.
	<a href="#">Section 6.12, "ALERT Pin"</a>	Added section to describe $\overline{\text{ALERT}}$ pin operation.
	Cover and Features	Updated text to include $\overline{\text{ALERT}}$ pin and temperature limits
	General Description	Modified bullet under "Temperature Look-Up Table" from: "Allows programmed fan response to temperature" to: "Allows external PWM input (50Hz-40kHz) as an additional temperature input"
Rev. 1.1 (05-22-09)	<a href="#">Table 4.2, "Electrical Specifications"</a>	"Tachometer Setting Accuracy" changed to "RPM Control Accuracy"  Value in MAX Column changed from: "+/- 3%" to: "+/- 2%"
Rev. 1.1 (05-15-09)	<a href="#">Table 4.1, "Absolute Maximum Ratings"</a>	Updated table for 5V tolerant pins issue
	<a href="#">Table 4.3, "SMBus Electrical Specifications"</a>	Updated electrical specifications for supply current
	<a href="#">Section 7.40, "Revision Register"</a>	Updated revision history
	Appendix B "RPM to Tachometer Count Look Up Tables"	Removed Appendix B and added reference to AN17.4 RPM to TACH Counts Conversion, which includes more information.
Rev. 1.0 (02-11-09)	Initial release of datasheet	

## Datasheet

### Note the following details of the code protection feature on Microchip devices:

- Microchip products meet the specification contained in their particular Microchip Data Sheet.
- Microchip believes that its family of products is one of the most secure families of its kind on the market today, when used in the intended manner and under normal conditions.
- There are dishonest and possibly illegal methods used to breach the code protection feature. All of these methods, to our knowledge, require using the Microchip products in a manner outside the operating specifications contained in Microchip's Data Sheets. Most likely, the person doing so is engaged in theft of intellectual property.
- Microchip is willing to work with the customer who is concerned about the integrity of their code.
- Neither Microchip nor any other semiconductor manufacturer can guarantee the security of their code. Code protection does not mean that we are guaranteeing the product as "unbreakable."

Code protection is constantly evolving. We at Microchip are committed to continuously improving the code protection features of our products. Attempts to break Microchip's code protection feature may be a violation of the Digital Millennium Copyright Act. If such acts allow unauthorized access to your software or other copyrighted work, you may have a right to sue for relief under that Act.

Information contained in this publication regarding device applications and the like is provided only for your convenience and may be superseded by updates. It is your responsibility to ensure that your application meets with your specifications. MICROCHIP MAKES NO REPRESENTATIONS OR WARRANTIES OF ANY KIND WHETHER EXPRESS OR IMPLIED, WRITTEN OR ORAL, STATUTORY OR OTHERWISE, RELATED TO THE INFORMATION, INCLUDING BUT NOT LIMITED TO ITS CONDITION, QUALITY, PERFORMANCE, MERCHANTABILITY OR FITNESS FOR PURPOSE. Microchip disclaims all liability arising from this information and its use. Use of Microchip devices in life support and/or safety applications is entirely at the buyer's risk, and the buyer agrees to defend, indemnify and hold harmless Microchip from any and all damages, claims, suits, or expenses resulting from such use. No licenses are conveyed, implicitly or otherwise, under any Microchip intellectual property rights.

### Trademarks

The Microchip name and logo, the Microchip logo, dsPIC, FlashFlex, KEELOQ, KEELOQ logo, MPLAB, PIC, PICmicro, PICSTART, PIC<sup>32</sup> logo, rPIC, SST, SST Logo, SuperFlash and UNI/O are registered trademarks of Microchip Technology Incorporated in the U.S.A. and other countries.

FilterLab, Hampshire, HI-TECH C, Linear Active Thermistor, MTP, SEEVAL and The Embedded Control Solutions Company are registered trademarks of Microchip Technology Incorporated in the U.S.A.

Silicon Storage Technology is a registered trademark of Microchip Technology Inc. in other countries.

Analog-for-the-Digital Age, Application Maestro, BodyCom, chipKIT, chipKIT logo, CodeGuard, dsPICDEM, dsPICDEM.net, dsPICworks, dsSPEAK, ECAN, ECONOMONITOR, FanSense, HI-TIDE, In-Circuit Serial Programming, ICSP, Mindi, MiWi, MPASM, MPF, MPLAB Certified logo, MPLIB, MPLINK, mTouch, Omniscient Code Generation, PICC, PICC-18, PICDEM, PICDEM.net, PICKit, PICtail, REAL ICE, rFLAB, Select Mode, SQI, Serial Quad I/O, Total Endurance, TSHARC, UniWinDriver, WiperLock, ZENA and Z-Scale are trademarks of Microchip Technology Incorporated in the U.S.A. and other countries.

SQTP is a service mark of Microchip Technology Incorporated in the U.S.A.

GestIC and ULPP are registered trademarks of Microchip Technology Germany II GmbH & Co. KG, a subsidiary of Microchip Technology Inc., in other countries.

A more complete list of registered trademarks and common law trademarks owned by Standard Microsystems Corporation ("SMSC") is available at: [www.smsc.com](http://www.smsc.com). The absence of a trademark (name, logo, etc.) from the list does not constitute a waiver of any intellectual property rights that SMSC has established in any of its trademarks.

All other trademarks mentioned herein are property of their respective companies.

© 2013, Microchip Technology Incorporated, Printed in the U.S.A., All Rights Reserved.

ISBN: 9781620776506

**QUALITY MANAGEMENT SYSTEM**  
**CERTIFIED BY DNV**  
**== ISO/TS 16949 ==**

*Microchip received ISO/TS-16949:2009 certification for its worldwide headquarters, design and wafer fabrication facilities in Chandler and Tempe, Arizona; Gresham, Oregon and design centers in California and India. The Company's quality system processes and procedures are for its PIC<sup>®</sup> MCUs and dsPIC<sup>®</sup> DSCs, KEELOQ<sup>®</sup> code hopping devices, Serial EEPROMs, microperipherals, nonvolatile memory and analog products. In addition, Microchip's quality system for the design and manufacture of development systems is ISO 9001:2000 certified.*



# MICROCHIP

## Worldwide Sales and Service

### AMERICAS

**Corporate Office**  
2355 West Chandler Blvd.  
Chandler, AZ 85224-6199  
Tel: 480-792-7200  
Fax: 480-792-7277  
Technical Support:  
<http://www.microchip.com/support>  
Web Address:  
[www.microchip.com](http://www.microchip.com)

**Atlanta**  
Duluth, GA  
Tel: 678-957-9614  
Fax: 678-957-1455

**Austin, TX**  
Tel: 512-257-3370

**Boston**  
Westborough, MA  
Tel: 774-760-0087  
Fax: 774-760-0088

**Chicago**  
Itasca, IL  
Tel: 630-285-0071  
Fax: 630-285-0075

**Cleveland**  
Independence, OH  
Tel: 216-447-0464  
Fax: 216-447-0643

**Dallas**  
Addison, TX  
Tel: 972-818-7423  
Fax: 972-818-2924

**Detroit**  
Novi, MI  
Tel: 248-848-4000

**Houston, TX**  
Tel: 281-894-5983

**Indianapolis**  
Noblesville, IN  
Tel: 317-773-8323  
Fax: 317-773-5453

**Los Angeles**  
Mission Viejo, CA  
Tel: 949-462-9523  
Fax: 949-462-9608

**New York, NY**  
Tel: 631-435-6000

**San Jose, CA**  
Tel: 408-735-9110

**Canada - Toronto**  
Tel: 905-673-0699  
Fax: 905-673-6509

### ASIA/PACIFIC

**Asia Pacific Office**  
Suites 3707-14, 37th Floor  
Tower 6, The Gateway  
Harbour City, Kowloon  
Hong Kong  
Tel: 852-2401-1200  
Fax: 852-2401-3431

**Australia - Sydney**  
Tel: 61-2-9868-6733  
Fax: 61-2-9868-6755

**China - Beijing**  
Tel: 86-10-8569-7000  
Fax: 86-10-8528-2104

**China - Chengdu**  
Tel: 86-28-8665-5511  
Fax: 86-28-8665-7889

**China - Chongqing**  
Tel: 86-23-8980-9588  
Fax: 86-23-8980-9500

**China - Hangzhou**  
Tel: 86-571-2819-3187  
Fax: 86-571-2819-3189

**China - Hong Kong SAR**  
Tel: 852-2943-5100  
Fax: 852-2401-3431

**China - Nanjing**  
Tel: 86-25-8473-2460  
Fax: 86-25-8473-2470

**China - Qingdao**  
Tel: 86-532-8502-7355  
Fax: 86-532-8502-7205

**China - Shanghai**  
Tel: 86-21-5407-5533  
Fax: 86-21-5407-5066

**China - Shenyang**  
Tel: 86-24-2334-2829  
Fax: 86-24-2334-2393

**China - Shenzhen**  
Tel: 86-755-8864-2200  
Fax: 86-755-8203-1760

**China - Wuhan**  
Tel: 86-27-5980-5300  
Fax: 86-27-5980-5118

**China - Xian**  
Tel: 86-29-8833-7252  
Fax: 86-29-8833-7256

**China - Xiamen**  
Tel: 86-592-2388138  
Fax: 86-592-2388130

**China - Zhuhai**  
Tel: 86-756-3210040  
Fax: 86-756-3210049

### ASIA/PACIFIC

**India - Bangalore**  
Tel: 91-80-3090-4444  
Fax: 91-80-3090-4123

**India - New Delhi**  
Tel: 91-11-4160-8631  
Fax: 91-11-4160-8632

**India - Pune**  
Tel: 91-20-3019-1500

**Japan - Osaka**  
Tel: 81-6-6152-7160  
Fax: 81-6-6152-9310

**Japan - Tokyo**  
Tel: 81-3-6880-3770  
Fax: 81-3-6880-3771

**Korea - Daegu**  
Tel: 82-53-744-4301  
Fax: 82-53-744-4302

**Korea - Seoul**  
Tel: 82-2-554-7200  
Fax: 82-2-558-5932 or  
82-2-558-5934

**Malaysia - Kuala Lumpur**  
Tel: 60-3-6201-9857  
Fax: 60-3-6201-9859

**Malaysia - Penang**  
Tel: 60-4-227-8870  
Fax: 60-4-227-4068

**Philippines - Manila**  
Tel: 63-2-634-9065  
Fax: 63-2-634-9069

**Singapore**  
Tel: 65-6334-8870  
Fax: 65-6334-8850

**Taiwan - Hsin Chu**  
Tel: 886-3-5778-366  
Fax: 886-3-5770-955

**Taiwan - Kaohsiung**  
Tel: 886-7-213-7830

**Taiwan - Taipei**  
Tel: 886-2-2508-8600  
Fax: 886-2-2508-0102

**Thailand - Bangkok**  
Tel: 66-2-694-1351  
Fax: 66-2-694-1350

### EUROPE

**Austria - Wels**  
Tel: 43-7242-2244-39  
Fax: 43-7242-2244-393

**Denmark - Copenhagen**  
Tel: 45-4450-2828  
Fax: 45-4485-2829

**France - Paris**  
Tel: 33-1-69-53-63-20  
Fax: 33-1-69-30-90-79

**Germany - Dusseldorf**  
Tel: 49-2129-3766400

**Germany - Munich**  
Tel: 49-89-627-144-0  
Fax: 49-89-627-144-44

**Germany - Pforzheim**  
Tel: 49-7231-424750

**Italy - Milan**  
Tel: 39-0331-742611  
Fax: 39-0331-466781

**Italy - Venice**  
Tel: 39-049-7625286

**Netherlands - Drunen**  
Tel: 31-416-690399  
Fax: 31-416-690340

**Poland - Warsaw**  
Tel: 48-22-3325737

**Spain - Madrid**  
Tel: 34-91-708-08-90  
Fax: 34-91-708-08-91

**Sweden - Stockholm**  
Tel: 46-8-5090-4654

**UK - Wokingham**  
Tel: 44-118-921-5800  
Fax: 44-118-921-5820

10/28/13